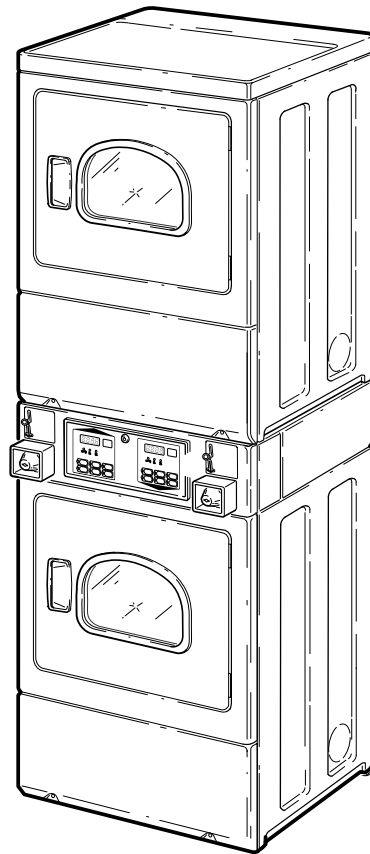


Commercial Dryers

Metered and Nonmetered
Refer to Page 3 for Model Numbers



DRY712C_513382

Table of Contents

Title	Page
Parts Ordering Information.....	2
Nameplate Location	2
Model Identification	3
Control Panel and Controls	4
Non-Electronic Coin Drop - Coin Drop Models	6
Electronic Coin Drop - Coin Drop Models	8
Control Cabinet Controls - Coin Drop Models.....	10
Control Cabinet - Card Reader Ready Models	12
Loading Door with Window	14
Access Panel, Front Panel and Seal	16
Motor, Exhaust Fan and Belt	18
Front Bulkhead, Airduct, Felt Seal and Cylinder	20
Rear Bulkhead, Felt Seal, Cylinder Roller and Terminal Block.....	22
Heater Duct and Element Assembly - Electric Model Dryers.....	24
Heater Duct Assembly - Gas Model Dryers	26
Gas Valve, Igniter and Gas Conversion Kits - Gas Model Dryers.....	28
Burner Orifice Spuds - For Higher Elevations	30
Cabinet, Exhaust Duct and Base	32
Cabinet Top	34
Power Cord	36
Terminal Block and Terminals	38
Terminals	40
Terminals and Terminal Extractor Tools	42
Wire Harnesses and Wires (Drawing 1 of 3).....	44
Wire Harnesses and Wires (Drawing 2 of 3).....	46
Wire Harnesses and Wires (Drawing 3 of 3).....	48
Parts Index.....	51

© Copyright 2013, Alliance Laundry Systems LLC

All rights reserved. No part of the contents of this book may be reproduced or transmitted in any form or by any means without the expressed written consent of the publisher.

Parts Ordering Information

If literature or replacement parts are required, contact the source from whom the machine was purchased or contact Alliance Laundry Systems at (920) 748-3950 for the name and address of the nearest authorized parts distributor.

For technical assistance, call either of the numbers listed below:

(920) 748-3121 Ripon, Wisconsin

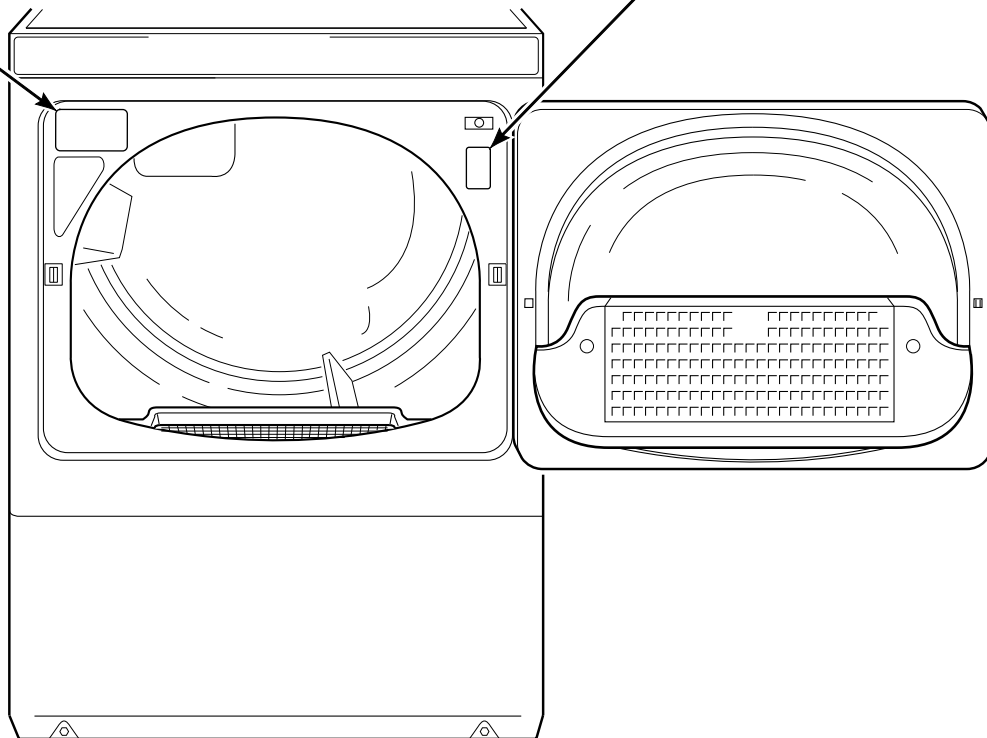
+32 56 41 20 54 Wevelgem, Belgium

Nameplate Location

When calling or writing about your product, be sure to mention model and serial numbers. Model and serial numbers are located on nameplate(s) as shown.

NAMEPLATE
(Models starting Serial No. 1206025810)

NAMEPLATE
(Models through Serial No. 1206025809)



DRY2283P_513382

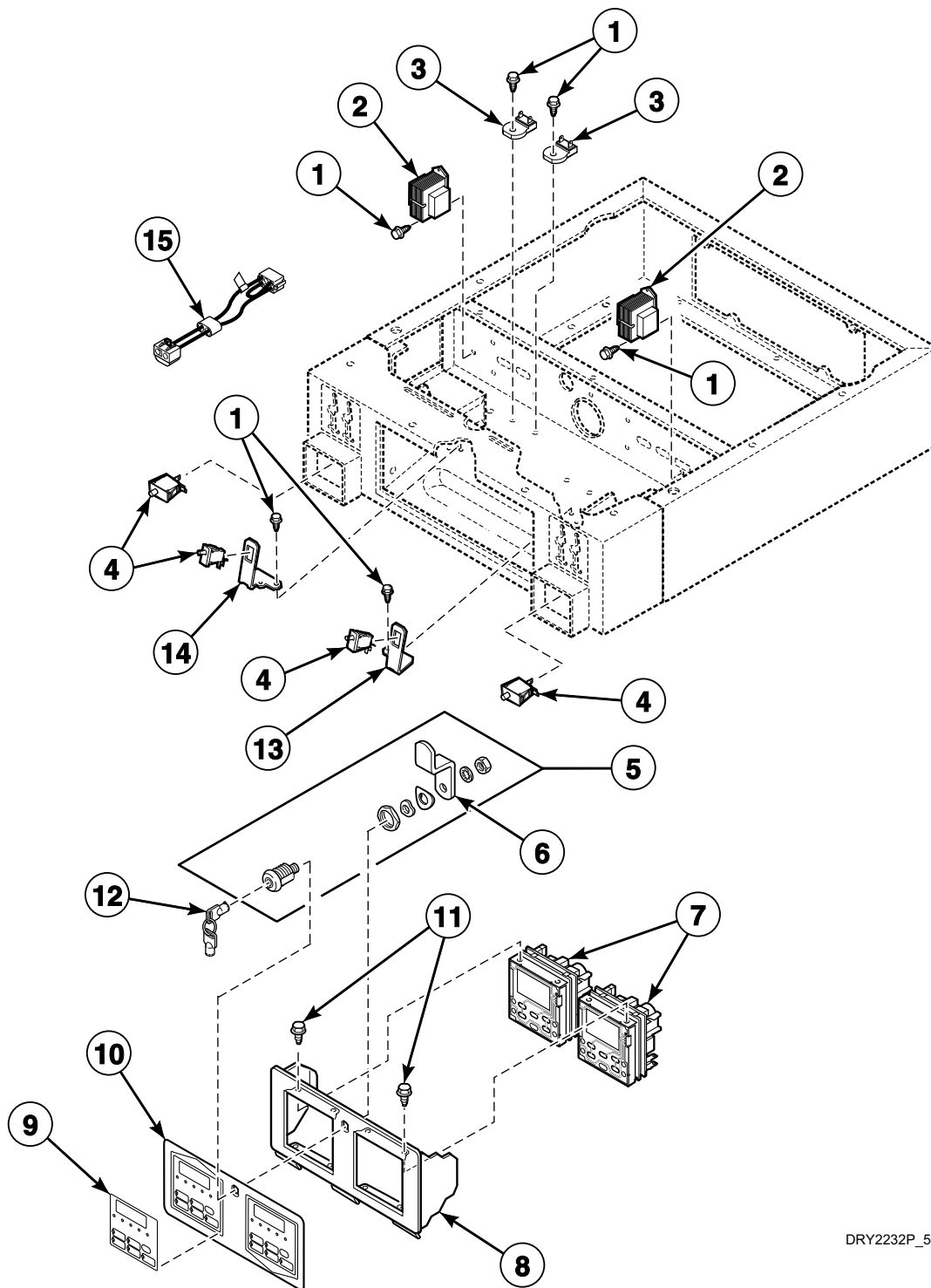
Model Identification

Information in this manual is applicable to these dryer models:

HSELXFGW281CW01
HSELXFGW291CW01
HSELYFGW281CW01
HSELYFGW291CW01
HGLXFGW091CW01
HGLYFGW091CW01

SSELXFGW431AW01
SSGLXFGW301AW01
SSLLXFGW541NW23

Control Panel and Controls



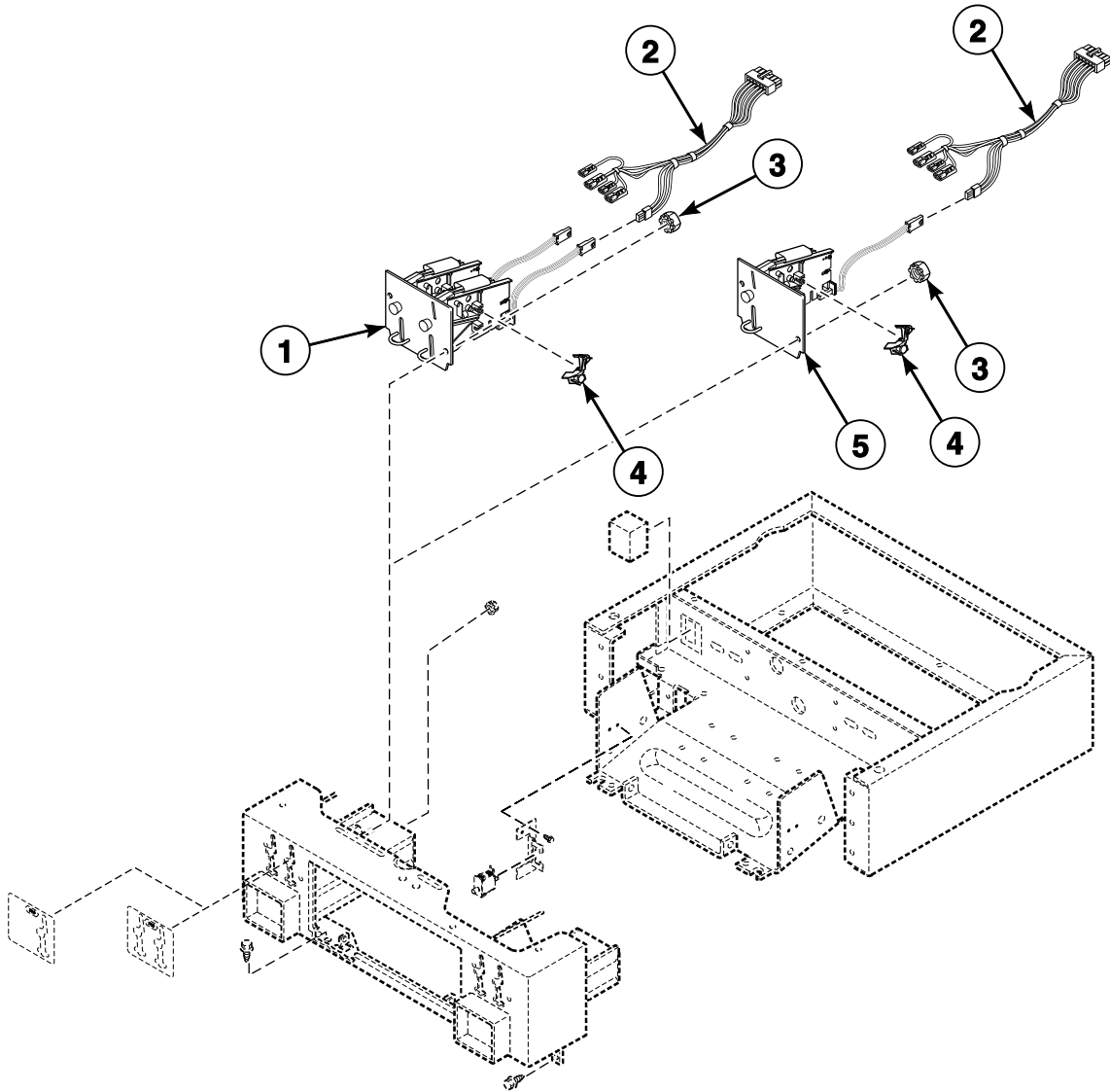
DRY2232P_513382

Control Panel and Controls

REF	PART NO.	DESCRIPTION	COMMENTS
	NK220	Network Controller Kit	Wired
	NK301	Wireless Network Kit	
	NK203	Network Retrofit Kit	Wired
	NK320	Ethernet Gateway Kit	Wireless
	NK330	USB Gateway Kit	Wireless
1	503688	Screw	
2	803527P	Transformer	Models SSELXFGW431AW01, SSGLXFGW301AW01 and SLLXFGW541NW23
	201375P	Transformer	All other models; Some models may have jumper wire attached to transformer. Discard jumper wire when replacing transformer
3	210100	Resistor	Models SSELXFGW431AW01, SSGLXFGW301AW01 and SLLXFGW541NW23
4	512973	Switch	
5	27260P	Lock Kit	Includes item 6
6	27261	Lock Cam	
7	513534P	Control Assembly	
8	510076W	Control Panel and Bracket Assembly	White
9	513545	Control Overlay	French/English; All models except SSELXFGW431AW01, SSGLXFGW301AW01 and SLLXFGW541NW23
10	512938	Control Overlay	Models SSELXFGW431AW01, SSGLXFGW301AW01 and SLLXFGW541NW23
	513030	Graphic Overlay	All other models
11	501524	Screw	
12	54612	Key	800
13	800380	Audit Switch Bracket	Right
14	800379	Audit Switch Bracket	Left
15	M413507	Jumper Configuration Assembly	Models SSELXFGW431AW01, SSGLXFGW301AW01 and SLLXFGW541NW23

Non-Electronic Coin Drop - Coin Drop Models

Models HSELXFGW281CW01, HSELXFGW291CW01, HSGLXFGW091CW01,
SSELXFGW431AW01, SSGLXFGW301AW01 and SLLXFGW541NW23



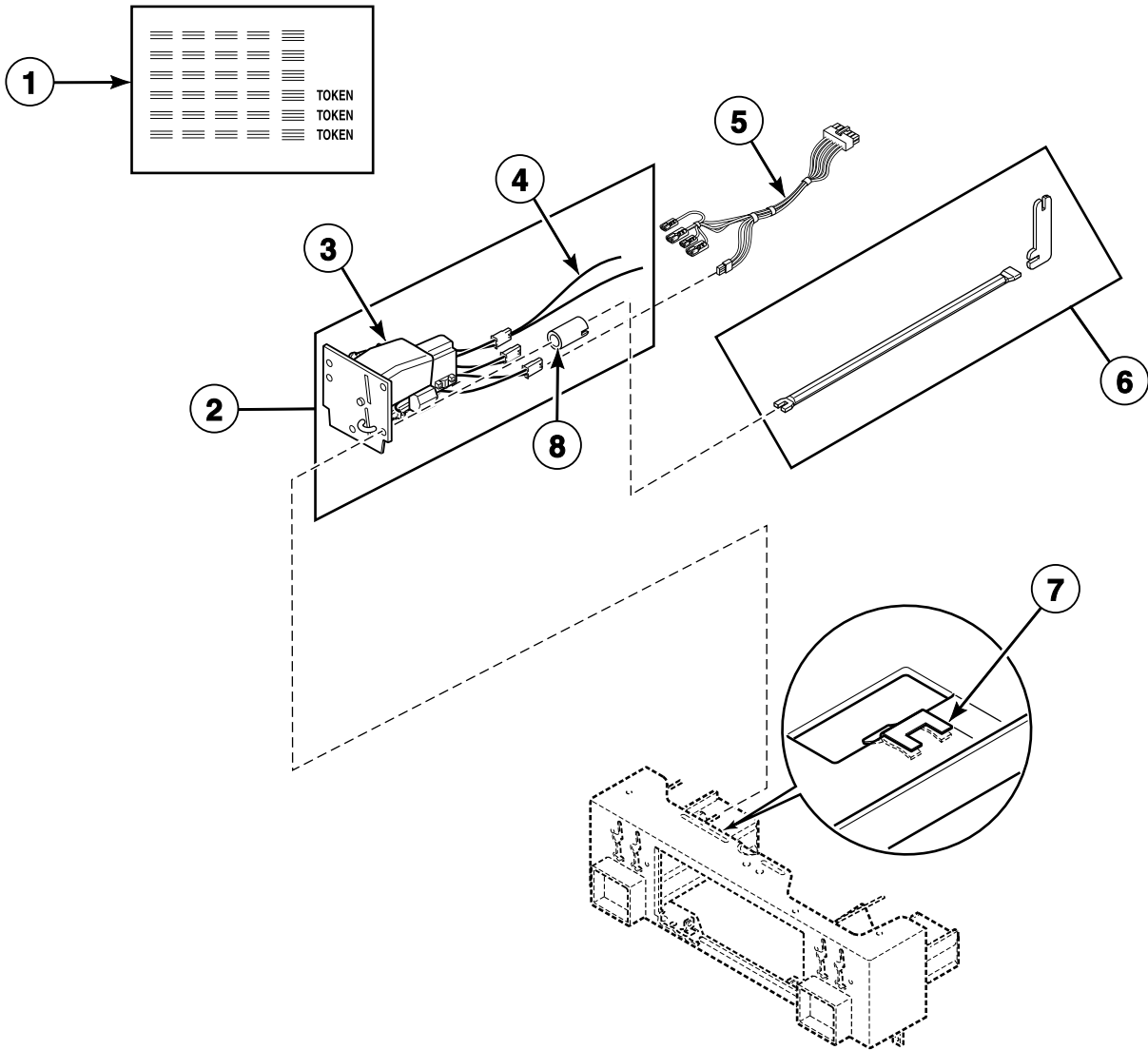
DRY2117P_513382

Non-Electronic Coin Drop - Coin Drop Models

REF	PART NO.	DESCRIPTION	COMMENTS
1	70441602	Coin Drop Assembly	Canada; 0.25 and 1.00
	38467	Coin Drop Assembly	Australia; 0.20 and 1.00
	38472	Coin Drop Assembly	England; 20p and 1 pound
	38519	Coin Drop Assembly	Japan; 100 yen and 500 yen
	38521	Coin Drop Assembly	Korea; 100 won and 500 won
	39157	Coin Drop Assembly	Israel; 1 shekel and 5 shekel
	2	802905	Harness Assembly
3	29786	Nut	
4	201595P	Wire Guard	Anti-stringing security device; Add to coin drops beginning January 2005
5	38462P	Coin Drop Assembly	Token; 118-1 mzp
	38463	Coin Drop Assembly	Token; 118-5 mzp
	38464P	Coin Drop Assembly	Canada; 0.25
	38475	Coin Drop Assembly	Japan; 100 yen
	CK077	Coin Drop Kit	Taiwan; 10 NT
	70441601P	Coin Drop	USA; \$0.25
	38963P	Coin Drop	Token; 118-16 mzp 5 nt
	CK114	Coin Drop Assembly	Singapore; 1.00

Electronic Coin Drop - Coin Drop Models

Models HSELXFGW281CW01, HSELXFGW291CW01, HSGLXFGW091CW01,
SSELXFGW431AW01, SSSLXFGW301AW01 and SSSLXFGW541NW23



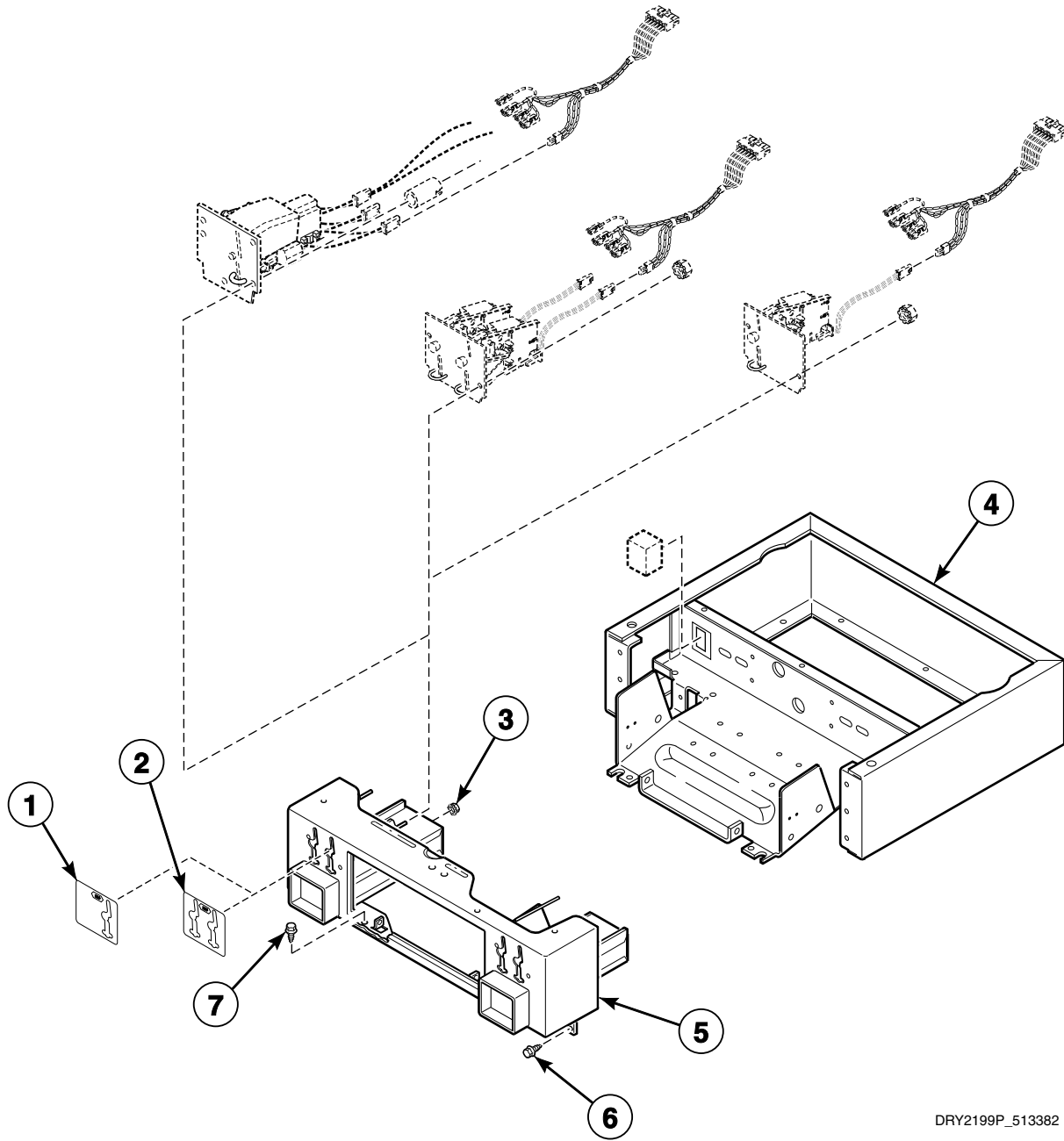
DRY2118P_513382

Electronic Coin Drop - Coin Drop Models

REF	PART NO.	DESCRIPTION	COMMENTS
1	38725	Coin Identification Paper	For use with items 2 and 3
2	CK115	Electronic Coin Drop Kit	Includes items 3-5; United States and Canada
	CK113	Electronic Coin Drop Kit	Includes items 3-5; Japan and Taiwan coins
	CK099	Electronic Coin Drop Kit	Includes items 3-5; Australia, New Zealand, Hong Kong and South Korea coins
	CK100	Electronic Coin Drop Kit	Includes items 3-5; Euro and Great Britain coins
	CK101	Electronic Coin Drop Kit	Includes items 3-5; Euro, Denmark and Norway coins
	CK103	Electronic Coin Drop Kit	Includes items 3-5; Euro, Lithuania and Latvia coins
	CK108	Electronic Coin Drop Kit	Includes items 3-5; South Africa coins
	CK109	Electronic Coin Drop Kit	Includes items 3-5; Euro coins
	CK110	Electronic Coin Drop Kit	Includes items 3-5; Mexico, Ecuador and United States coins
	CK116	Electronic Coin Drop Kit	Includes items 3-5; Malaysia, China and Singapore coins
	CK117	Electronic Coin Drop Kit	Includes items 3-5; Russia coins
CK118	Electronic Coin Drop Kit	Includes items 3-5; Philippine coins	
3	70294105P	Electronic Coin Drop Assembly	Australia, New Zealand, Hong Kong and South Korea coins
	70294103P	Electronic Coin Drop Assembly	Euro and Great Britain coins
	70294104	Electronic Coin Drop Assembly	Euro, Denmark and Norway coins
	70294106	Electronic Coin Drop Assembly	Mexico, Ecuador and United States coins
	70294107	Electronic Coin Drop Assembly	Euro, Lithuania and Latvia coins
	70294110	Electronic Coin Drop Assembly	South Africa coins
	70294111	Electronic Coin Drop Assembly	Euro coins
	70294112	Electronic Coin Drop Assembly	Euro, Great Britain and token coins
	70294116	Electronic Coin Drop Assembly	Malaysia, China and Singapore coins
	70294117	Electronic Coin Drop Assembly	Russia coins
4	201104	Coin Drop Wire Harness	For use with items 2 and 3
5	802905	Harness Assembly	
6	CK096	Mounting Tool Kit	For use with items 2 and 3
7	201572	Clip	For use with items 2 and 3
8	201216	Nut	For use with items 2 and 3

Control Cabinet Controls - Coin Drop Models

Models HSELXFGW281CW01, HSELXFGW291CW01, HSGLXFGW091CW01,
SSELXFGW431AW01, SSGLXFGW301AW01 and SSSLXFGW541NW23



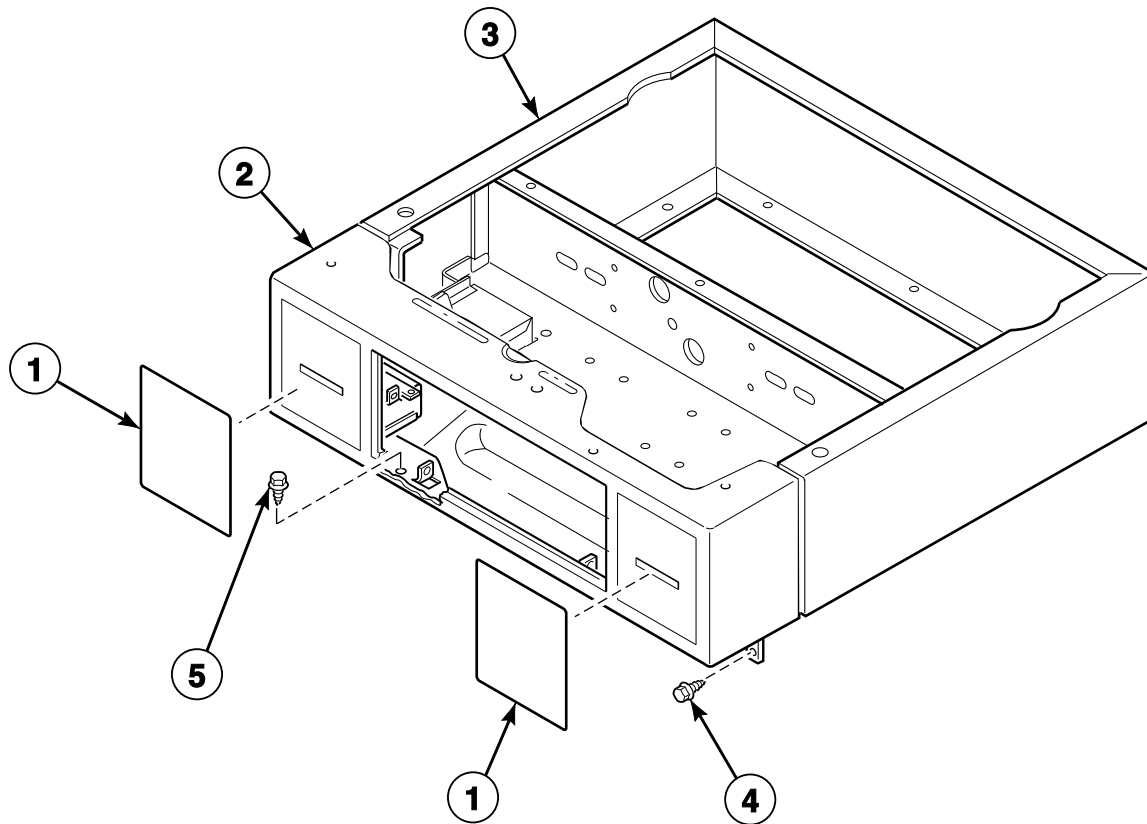
DRY2199P_513382

Control Cabinet Controls - Coin Drop Models

REF	PART NO.	DESCRIPTION	COMMENTS
1	38717	Single Overlay	For use with non-electronic coin drops
	201091	Overlay	For use with electronic coin drops
2	39073	Dual Overlay	
3	80077	Nut	
4	505753WP	Wrapper and Channel Assembly	
5	511632WP	Security Cabinet Front Assembly	
6	503688	Screw	
7	502431	Screw	

Control Cabinet - Card Reader Ready Models

Models HSELYFGW281CW01, HSELYFGW291CW01 and HSGLYFGW091CW01

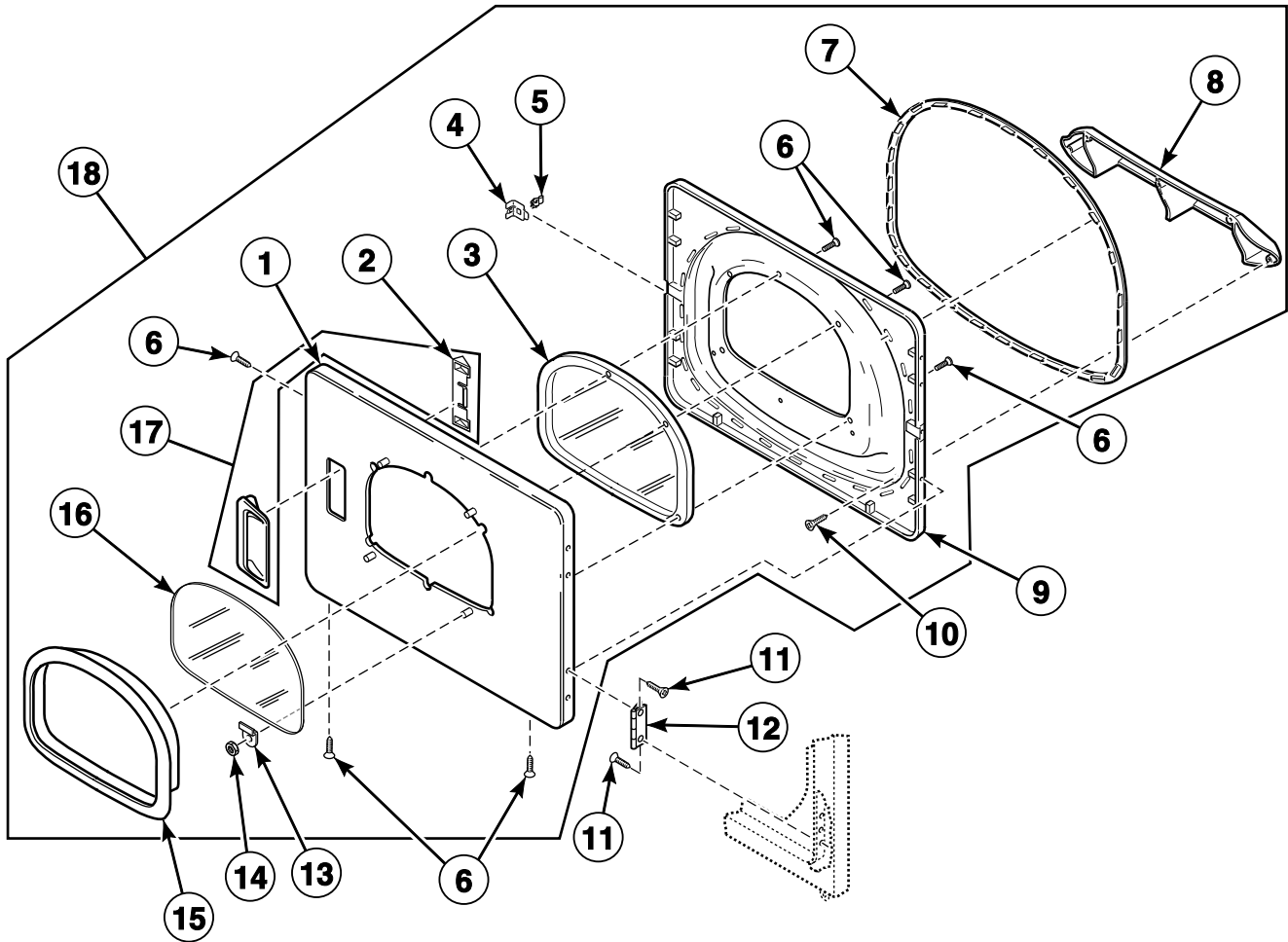


DRY2190P_513382

Control Cabinet - Card Reader Ready Models

REF	PART NO.	DESCRIPTION	COMMENTS
1	511548	Card Insert Overlay	
2	511208W	Security Cabinet Front Assembly	
3	505753WP	Wrapper and Channel Assembly	
4	503688	Screw	
5	502431	Screw	

Loading Door with Window

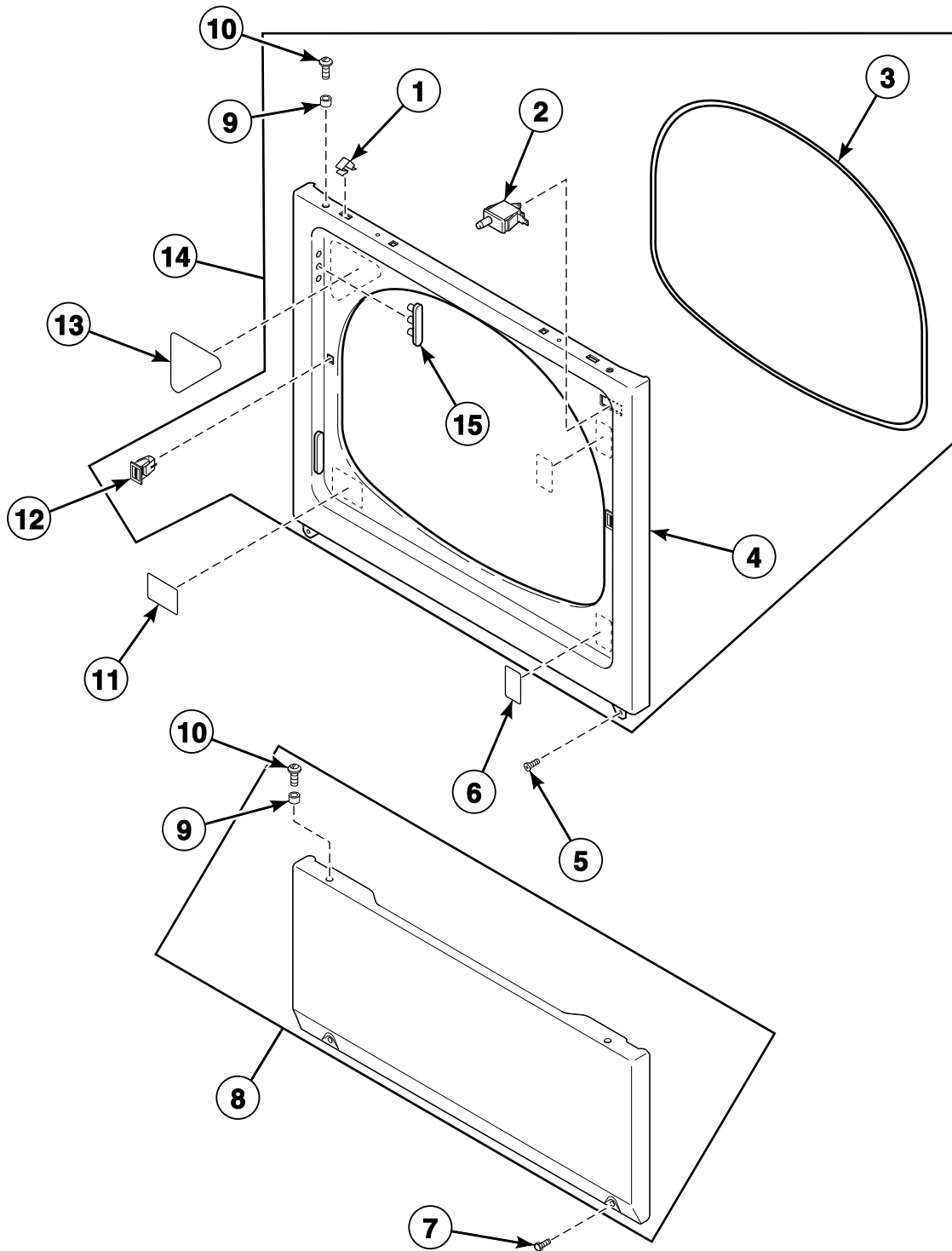


DRY2296P_513382

Loading Door with Window

REF	PART NO.	DESCRIPTION	COMMENTS
1	514114W	Dryer Door Assembly	Models HSELXFGW281CW01, HSELXFGW291CW01, HSELYFGW281CW01 and HSELYFGW291CW01 starting Serial No. 1303025315
	510082WP	Dryer Door	HSELXFGW281CW01, HSELXFGW291CW01, HSELYFGW281CW01 AND HSELYFGW291CW01 through Serial No. 1303025314; All other models
2	510129	Door Handle Wedge	
3	503982P	Dryer Door Window	
4	510127	Door Strike Mount	
5	510181	Door Strike	
6	500226	Screw	
7	510147P	Liner Door Seal	
8	503870LG	Door Liner Grill	Models HSELXFGW281CW01, HSELXFGW291CW01, HSELYFGW281CW01 and HSELYFGW291CW01 starting Serial No. 1303025315
	503870W	Door Liner Grill	HSELXFGW281CW01, HSELXFGW291CW01, HSELYFGW281CW01 AND HSELYFGW291CW01 through Serial No. 1303025314; All other models
9	510098LG	Liner and Seal Assembly	Models HSELXFGW281CW01, HSELXFGW291CW01, HSELYFGW281CW01 and HSELYFGW291CW01 starting Serial No. 1303025315
	510098W	Liner and Seal Assembly	Includes item 7; HSELXFGW281CW01, HSELXFGW291CW01, HSELYFGW281CW01 AND HSELYFGW291CW01 through Serial No. 1303025314; All other models
10	505870	Screw	
11	505295	Screw	
12	511036	Hinge	
13	513958	Window Clip	Models HSELXFGW281CW01, HSELXFGW291CW01, HSELYFGW281CW01 and HSELYFGW291CW01 starting Serial No. 1303025315
14	44071201	Nut	Models HSELXFGW281CW01, HSELXFGW291CW01, HSELYFGW281CW01 and HSELYFGW291CW01 starting Serial No. 1303025315
15	503981LG	Window Trim	Models HSELXFGW281CW01, HSELXFGW291CW01, HSELYFGW281CW01 and HSELYFGW291CW01 starting Serial No. 1303025315
	503981W	Window Trim	HSELXFGW281CW01, HSELXFGW291CW01, HSELYFGW281CW01 AND HSELYFGW291CW01 through Serial No. 1303025314; All other models
16	513910	Glass Door Window	Models HSELXFGW281CW01, HSELXFGW291CW01, HSELYFGW281CW01 and HSELYFGW291CW01 starting Serial No. 1303025315
17	510103WP	Door Pull and Wedge Kit	Includes item 2
18	511636WP	Door and Liner Assembly	Includes items 1-10, 13 and 14; HSELXFGW281CW01, HSELXFGW291CW01, HSELYFGW281CW01 AND HSELYFGW291CW01 through Serial No. 1303025314; All other models

Access Panel, Front Panel and Seal

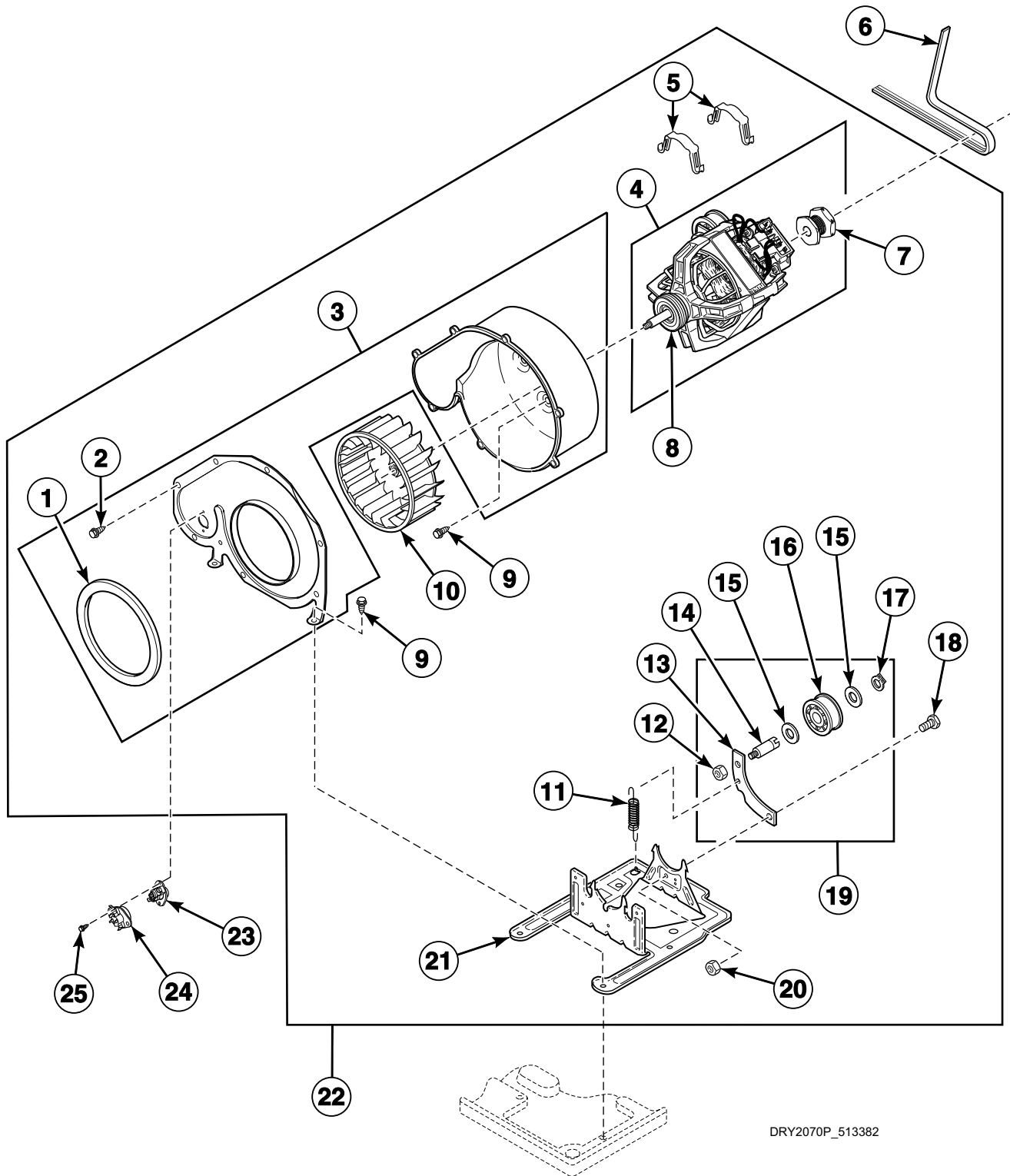


DRY1776P_513382

Access Panel, Front Panel and Seal

REF	PART NO.	DESCRIPTION	COMMENTS
1	28835	Speed Clip	
2	512973	Switch	
3	511056	Front Panel Seal	
4	510066WP	Front Panel	
5	503688	Screw	
6	512263	Warning Label	Models SSELXFGW431AW01 and SSGLXFGW301AW01
7	33562	Screw	Slotted hex head
	62853	Screw	Torx head; Optional for added security
8	514252W	Access Panel and Guard Assembly	Models HSELXFGW281CW01, HSELXFGW291CW01, HSELYFGW281CW01 and HSELYFGW291CW01 starting Serial No. 1303025315
	514250W	Access Panel Assembly	HSELXFGW281CW01, HSELXFGW291CW01, HSELYFGW281CW01 AND HSELYFGW291CW01 through Serial No. 1303025314; All other models
9	56079	Panel Locator	
10	39733	Screw	
11	502804	Clean Lint Label	Models SSELXFGW431AW01 and SSGLXFGW301AW01
12	514113	Door Catch Assembly	
13	500281	Warning/Caution Label	Models SSELXFGW431AW01, SSGLXFGW301AW01 and SSSLXFGW541NW23
	500253	Caution Label	English/French; All other models
14	513781W	Front Panel Assembly	Includes items 1-4, 9, 10, 12, 15 and 511636WP Door Assembly, (2) of 511036 Door Hinge and (8) of 500226 Screw
15	510186	Hinge Hole Plug	

Motor, Exhaust Fan and Belt

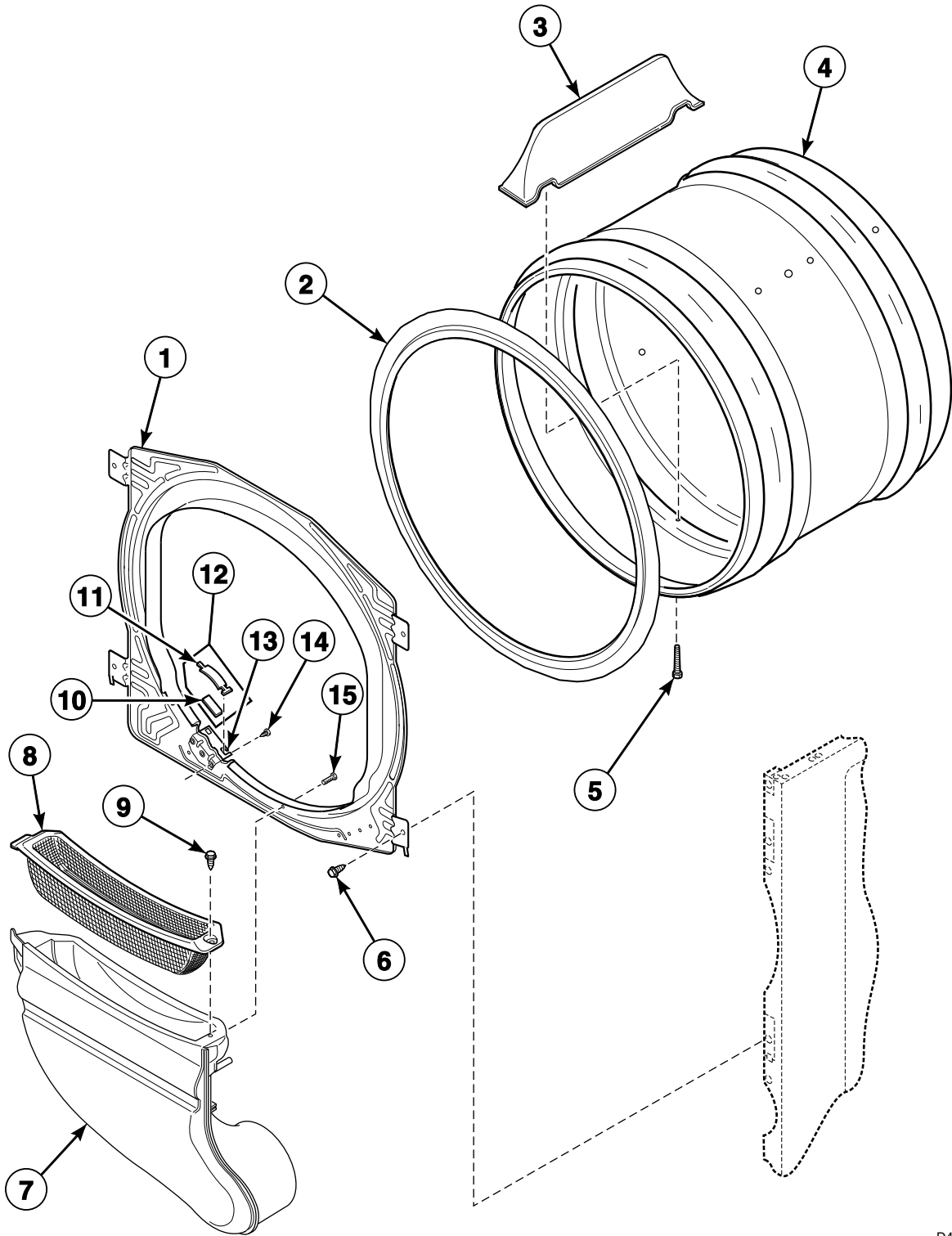


DRY2070P_513382

Motor, Exhaust Fan and Belt

REF	PART NO.	DESCRIPTION	COMMENTS
	27604P	Anti-Seize Compound	Apply to motor shaft when installing blower fan assembly
1	510238P	Blower Housing Seal	
2	31260	Screw	
3	511969WP	Blower Housing	Includes items 1 and 2
4	505843P	Motor and Pulley Assembly	240 Volt/50 Hertz; Apply anti-seize compound to motor shaft when installing blower fan assembly; Includes items 7 and 8; Models SSELXFGW431AW01 and SSSLXFGW301AW01
	505869P	Motor and Pulley Assembly	240 Volt/60 Hertz; Includes items 7 and 8; Apply anti-seize compound to motor shaft when installing blower fan assembly; Model SSSLXFGW541NW23
	511629P	Motor and Pulley Assembly	120 Volt/60 Hertz; Apply anti-seize compound to motor shaft when installing blower fan assembly; Includes items 7 and 8; All other models
5	510180	Motor Mount Clamp	
6	511255P	Cylinder Belt	
7	500222	Motor Pulley	50 Hertz; Models SSELXFGW431AW01 and SSSLXFGW301AW01
	500011	Motor Pulley	60 Hertz; All other models
8	590P3	Motor Hub Ring Kit	
9	503688	Screw	
10	510139P	Blower Fan Assembly	Apply anti-seize compound to motor shaft when installing blower fan assembly
11	510185	Idler Spring	
12	56156	Nut	
13	510133	Idler Lever	
14	56461P	Shaft	
15	52549	Washer	
16	510142P	Idler Wheel and Bearing Assembly	
17	23748	Retaining Ring	
18	500824	Screw	
19	510158	Idler Lever and Wheel Assembly	Includes items 12-17
20	52566	Nut	
21	510060	Motor Mount	
22	510717P	Blower and Fan Kit	Includes items 1-5 and 7-21
23	M411941	Manual Reset Thermostat	Model SSSLXFGW301AW01
24	502366	Thermistor Assembly	Models SSELXFGW431AW01 and SSSLXFGW301AW01
	510523	Thermistor Assembly	Black; All other models
25	502535	Screw	

Front Bulkhead, Airduct, Felt Seal and Cylinder

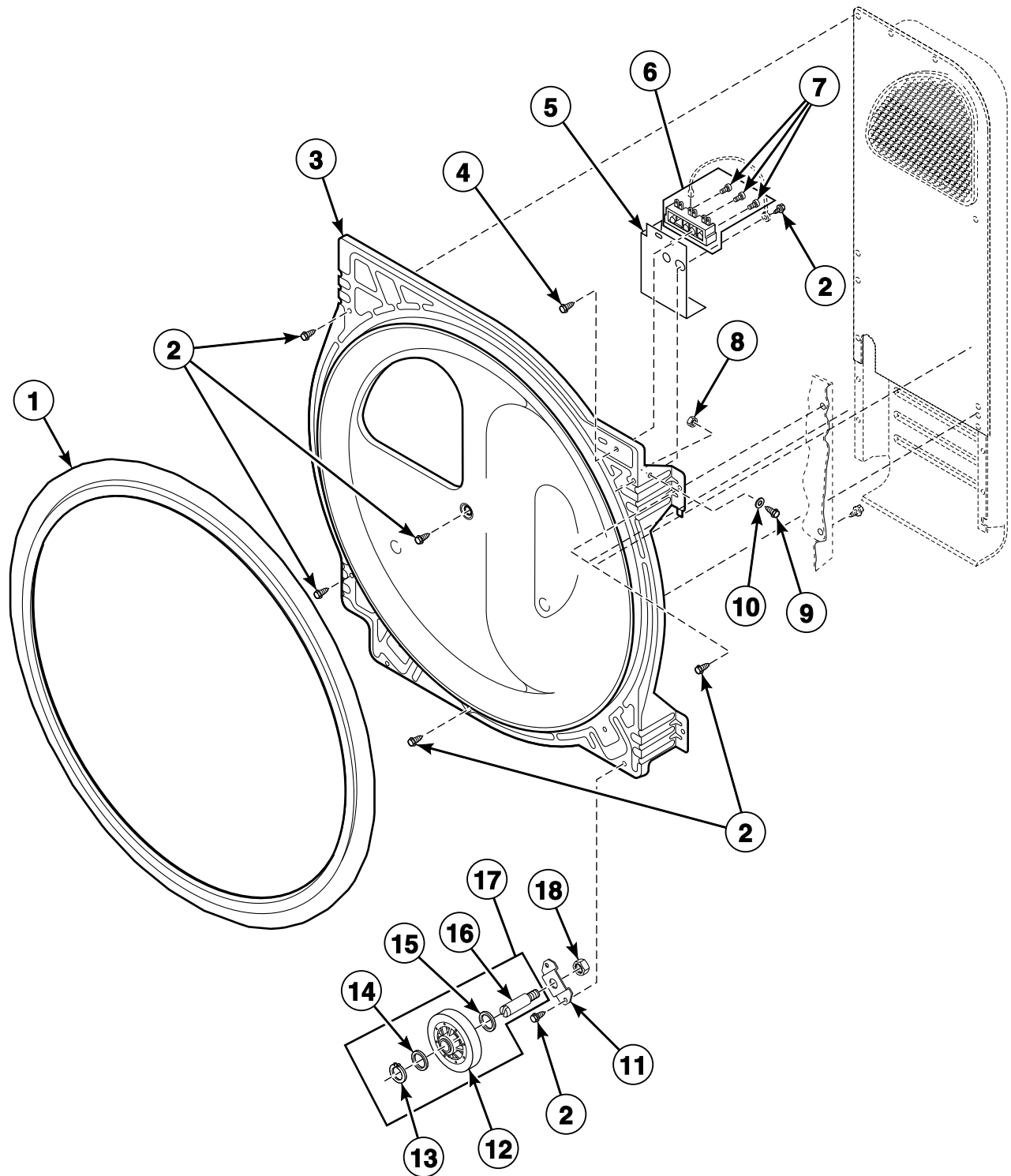


D402P_513382

Front Bulkhead, Airduct, Felt Seal and Cylinder

REF	PART NO.	DESCRIPTION	COMMENTS
1	510266P	Front Bulkhead Assembly	Unpainted; Includes items 2 and 10-14
2	510207P	Cylinder Seal Assembly	
	511637P	Adhesive	Apply to cylinder seal
	RB170001	Seal Kit	Includes 2 cylinder seals, 510238P Blower Housing Seal and 511637P Adhesive
3	510102LG	Cylinder Baffle	Models HSELXFGW281CW01, HSELXFGW291CW01, HSELYFGW281CW01 and HSELYFGW291CW01 starting Serial No. 1303025315
	510102W	Cylinder Baffle	HSELXFGW281CW01, HSELXFGW291CW01, HSELYFGW281CW01 AND HSELYFGW291CW01 through Serial No. 1303025314; All other models
4	510265LG	Cylinder Assembly	Models HSELXFGW281CW01, HSELXFGW291CW01, HSELYFGW281CW01 and HSELYFGW291CW01 starting Serial No. 1303025315
	510265WP	Cylinder Assembly	Galvanized; Includes item 3; HSELXFGW281CW01, HSELXFGW291CW01, HSELYFGW281CW01 AND HSELYFGW291CW01 through Serial No. 1303025314; All other models
5	62588	Screw	
6	503688	Screw	
7	510151LG	Air Duct Assembly	Models HSELXFGW281CW01, HSELXFGW291CW01, HSELYFGW281CW01 and HSELYFGW291CW01 starting Serial No. 1303025315
	510151W	Air Duct Assembly	HSELXFGW281CW01, HSELXFGW291CW01, HSELYFGW281CW01 AND HSELYFGW291CW01 through Serial No. 1303025314; All other models
8	503980LG	Lint Filter	Models HSELXFGW281CW01, HSELXFGW291CW01, HSELYFGW281CW01 and HSELYFGW291CW01 starting Serial No. 1303025315
	503980W	Lint Filter	HSELXFGW281CW01, HSELXFGW291CW01, HSELYFGW281CW01 AND HSELYFGW291CW01 through Serial No. 1303025314; All other models
9	501285	Screw	
10	510189	Felt Pad	
11	510188	Cylinder Glide	
12	RB170003	Glide Kit	Includes items 10 and 11
13	510145	Cylinder Glide Bracket	
14	52864	Screw	
15	505295	Screw	

Rear Bulkhead, Felt Seal, Cylinder Roller and Terminal Block



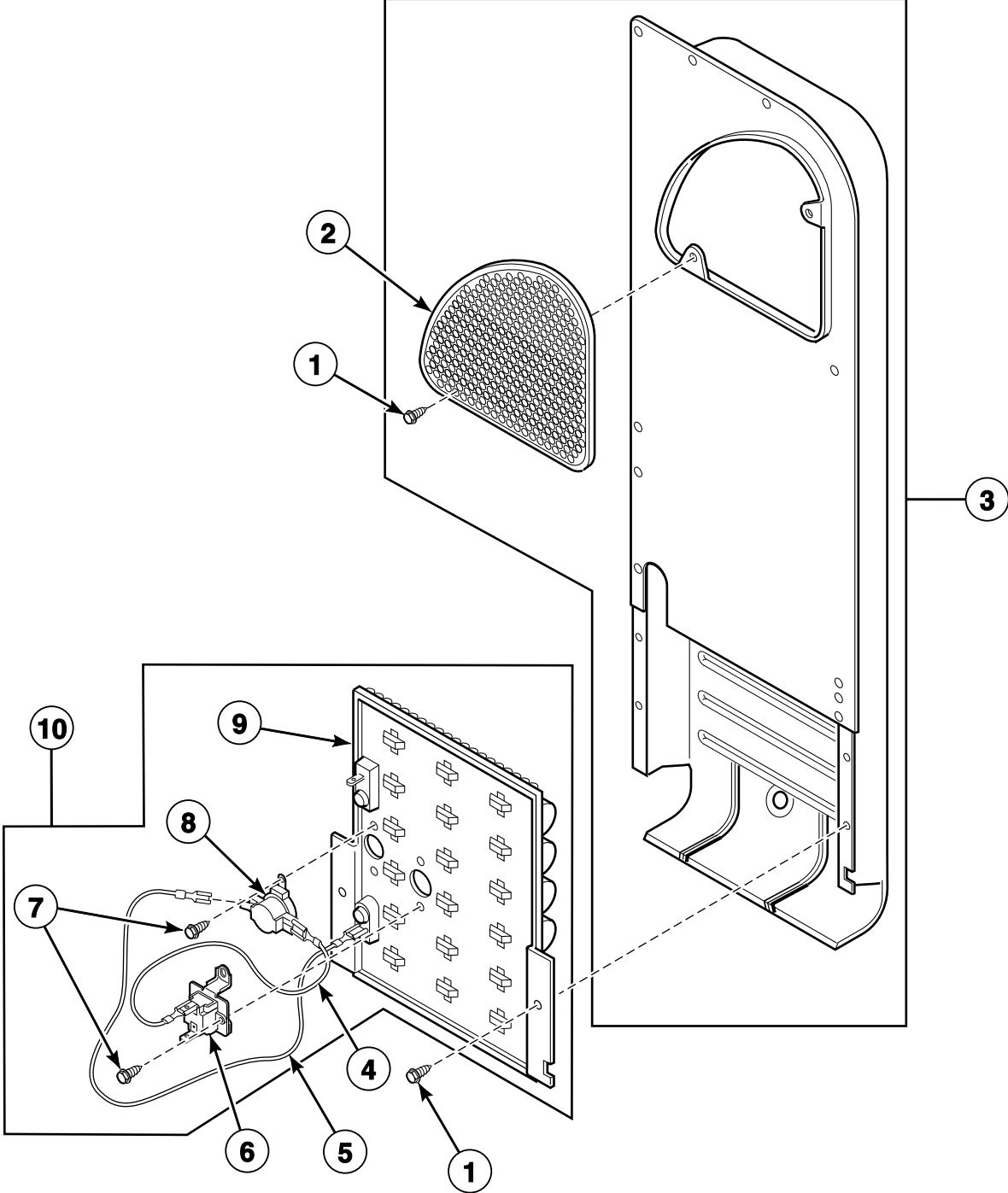
DRY1774P_513382

Rear Bulkhead, Felt Seal, Cylinder Roller and Terminal Block

REF	PART NO.	DESCRIPTION	COMMENTS
1	510207P	Cylinder Seal Assembly	
	511637P	Adhesive	Apply to cylinder seal
	RB170001	Seal Kit	Includes 2 cylinder seals, 510238P Blower Housing Seal and 511637P Adhesive
2	503688	Screw	
3	511082P	Rear Bulkhead Assembly	Galvanized; Includes item 1
4	501285	Screw	Electric models
5	510237	Terminal Block Shield	Electric models
6	510190P	Terminal Block Assembly	Includes 3 of item 7; Electric models
7	61199	Screw	
8	28447	Nut	
9	28448	Screw	
10	28449	Washer	
11	510100	Cylinder Roller Bracket	
12	510708P	Cylinder Roller	
13	23748	Retaining Ring	
14	52549	Washer	
15	504082	Washer	
16	56461P	Shaft	
17	RB170002	Roller Kit	Includes items 12-16
18	56156	Nut	

Heater Duct and Element Assembly - Electric Model Dryers

Models HSELXFGW281CW01, HSELXFGW291CW01, HSELYFGW281CW01,
HSELYFGW291CW01 and SSELXFGW431AW01



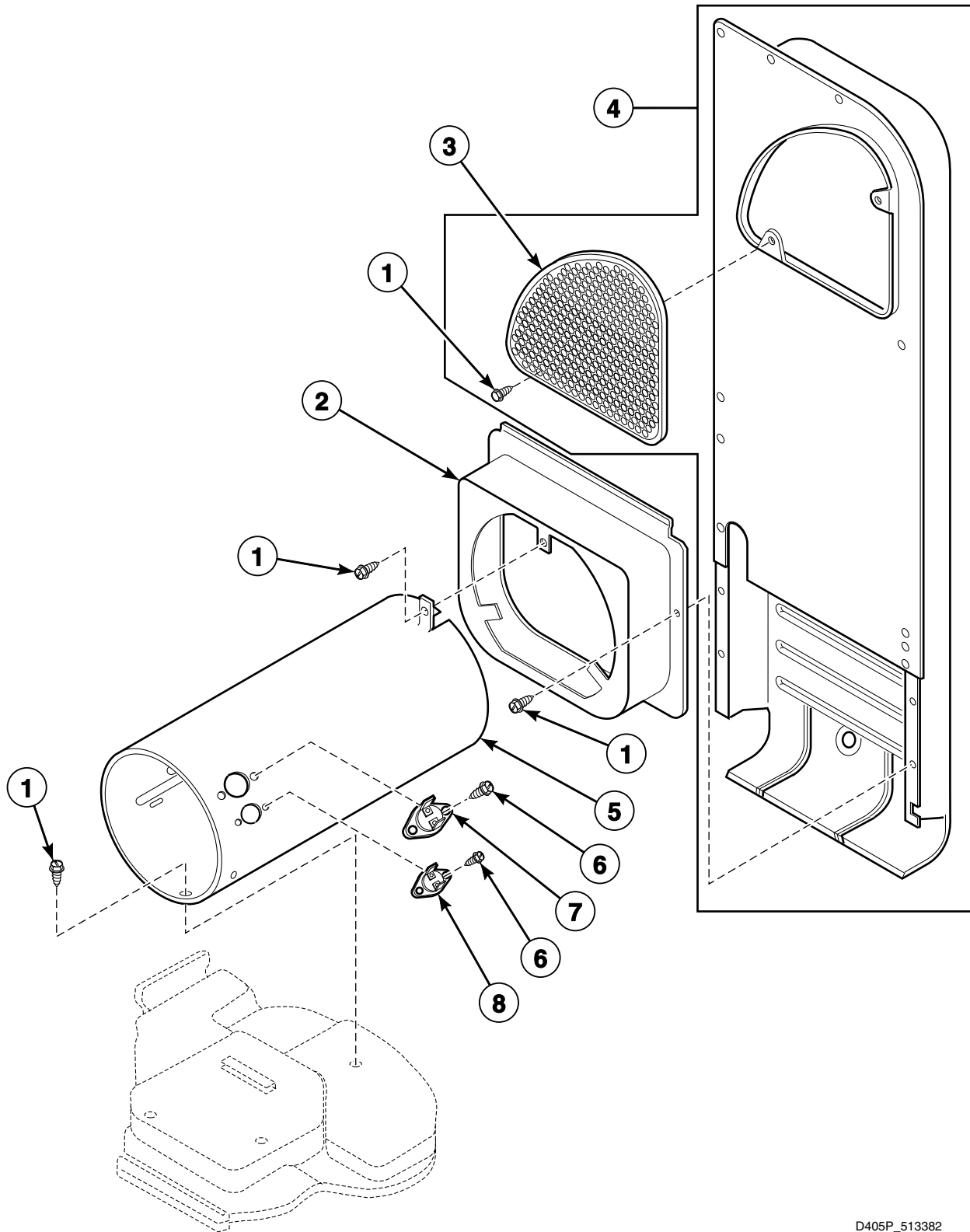
DRY1789P_513382

Heater Duct and Element Assembly - Electric Model Dryers

REF	PART NO.	DESCRIPTION	COMMENTS
1	503688	Screw	
2	500820	Outlet Cover	
3	510025P	Heater Duct and Screw Assembly	Includes items 1 and 2
4	510528	Wire Assembly	Orange; Thermostat jumper; Attaches to heater assembly
5	510527	Wire Assembly	Black; Fuse jumper; Attaches to heater assembly
6	511412	Thermal Fuse Assembly	
7	23222	Screw	
8	510701	Limit Thermostat	
9	510330P	Heater Assembly	208 Volt/60 Hertz; 4.25 kW; Models HSELXFGW291CW01 and HSELYFGW291CW01
	510324P	Heater Assembly	240 Volt/60 Hertz; 5 kW; Models HSELXFGW281CW01 and HSELYFGW281CW01
	510327P	Heater Assembly	240 Volt/50 Hertz; 4 kW; Model SSELXFGW431AW01
10	965P3	Heater Kit	208 Volt/60 Hertz; 4.25 kW; Includes items 4-9; Models HSELXFGW291CW01 and HSELYFGW291CW01
	61927	Heater Kit Assembly	240 Volt/60 Hertz; 5 kW; Models HSELXFGW281CW01 and HSELYFGW281CW01
	61930	Heater Kit Assembly	240 Volt/50 Hertz; 4 kW; Model SSELXFGW431AW01

Heater Duct Assembly - Gas Model Dryers

Models HSGLXFGW091CW01, HSGLYFGW091CW01, SSGLXFGW301AW01 and SLLXFGW541NW23



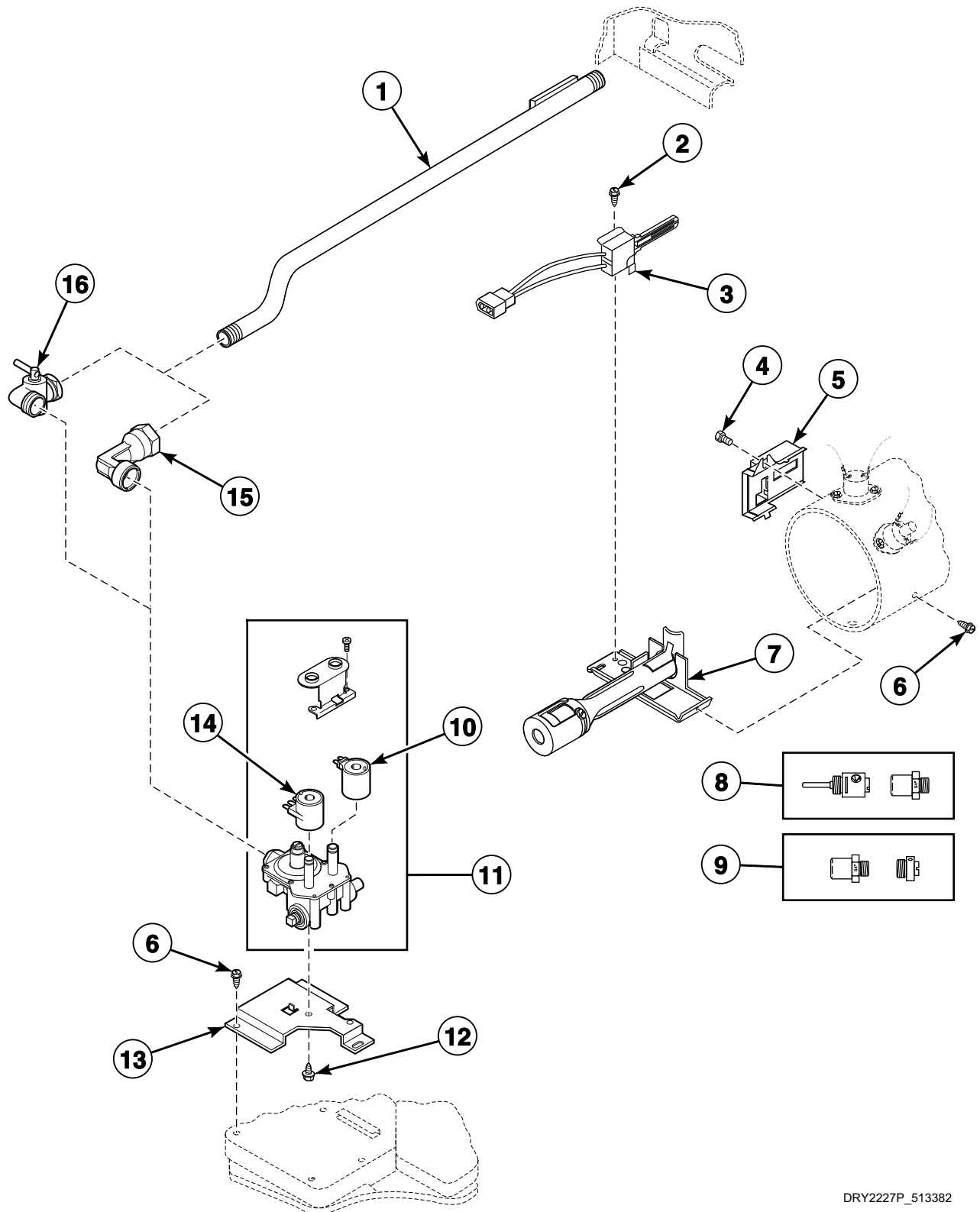
D405P_513382

Heater Duct Assembly - Gas Model Dryers

REF	PART NO.	DESCRIPTION	COMMENTS
1	503688	Screw	
2	510101	Heat Duct Shroud	
3	500820	Outlet Cover	
4	510025P	Heater Duct and Screw Assembly	Includes items 1 and 3
5	510131	Combustion Duct	Models SSGLXFGW301AW01 and SLLXFGW541NW23
	510132	Combustion Duct	All other models
6	51782	Screw	
7	510702	Limit Thermostat	Black; Auto reset
8	510703	Thermostat	Manual reset; All models except SSGLXFGW301AW01 and SLLXFGW541NW23

Gas Valve, Igniter and Gas Conversion Kits - Gas Model Dryers

Models HSGLXFGW091CW01, HSGLYFGW091CW01, SSGLXFGW301AW01 and SSSLXFGW541NW23



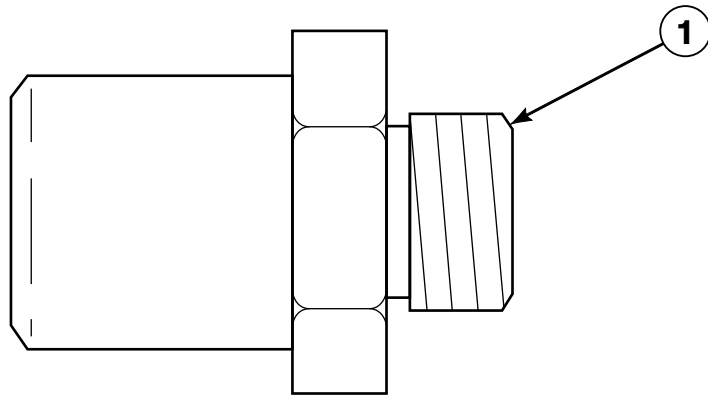
DRY2227P_513382

Gas Valve, Igniter and Gas Conversion Kits - Gas Model Dryers

REF	PART NO.	DESCRIPTION	COMMENTS
1	510204	Lead-In Pipe Assembly	
2	51782	Screw	
3	510184P	Igniter and Bracket Assembly	
4	23222	Screw	
5	510213	Sensor	
6	503688	Screw	
7	510149P	Burner Assembly	
8	649P3	L.P. Conversion Kit	Used to convert dryers from N.G. or Mixed Gas to L.P.; 22,500 Btu; Model SSSLXFGW541NW23
	458P3	L.P. Conversion Kit	Used to convert dryers from N.G. or Mixed Gas to L.P. for 25,000 Btu; All other models
9	650P3	N.G. Conversion Kit	Used to convert dryers from L.P. to N.G. or Mixed Gas; 22,500 Btu; Model SSSLXFGW541NW23
	459P3	N.G. Conversion Kit	Used to convert dryers from L.P. to N.G. or Mixed Gas for 25,000 Btu; All other models
10	59063B	Secondary Coil	50 Hertz; Model SSGLXFGW301AW01
	58804B	Secondary Coil	60 Hertz; All other models
11	60443P	Valve Assembly	Model SSGLXFGW301AW01; 50 Hertz; 25,000 Btu; Includes items 10 and 14
	60353P	Gas Valve Assembly	All other models; 60 Hertz; 25,000 Btu; Includes items 10 and 14
	513631	Gas Valve Assembly	Model SSSLXFGW541NW23; 60 Hertz; 22,500 Btu; Includes items 10 and 14
12	56124	Screw	
13	510128	Gas Valve Mounting Bracket	
14	59063A	Booster and Holding Coil	Model SSGLXFGW301AW01; 50 Hertz
	58804A	Booster and Holding Coil	All other models; 60 Hertz
15	513072	Elbow	Model SSSLXFGW541NW23
16	510205	Elbow Shut-Off Valve	All models except SSSLXFGW541NW23

Burner Orifice Spuds - For Higher Elevations

Gas Models

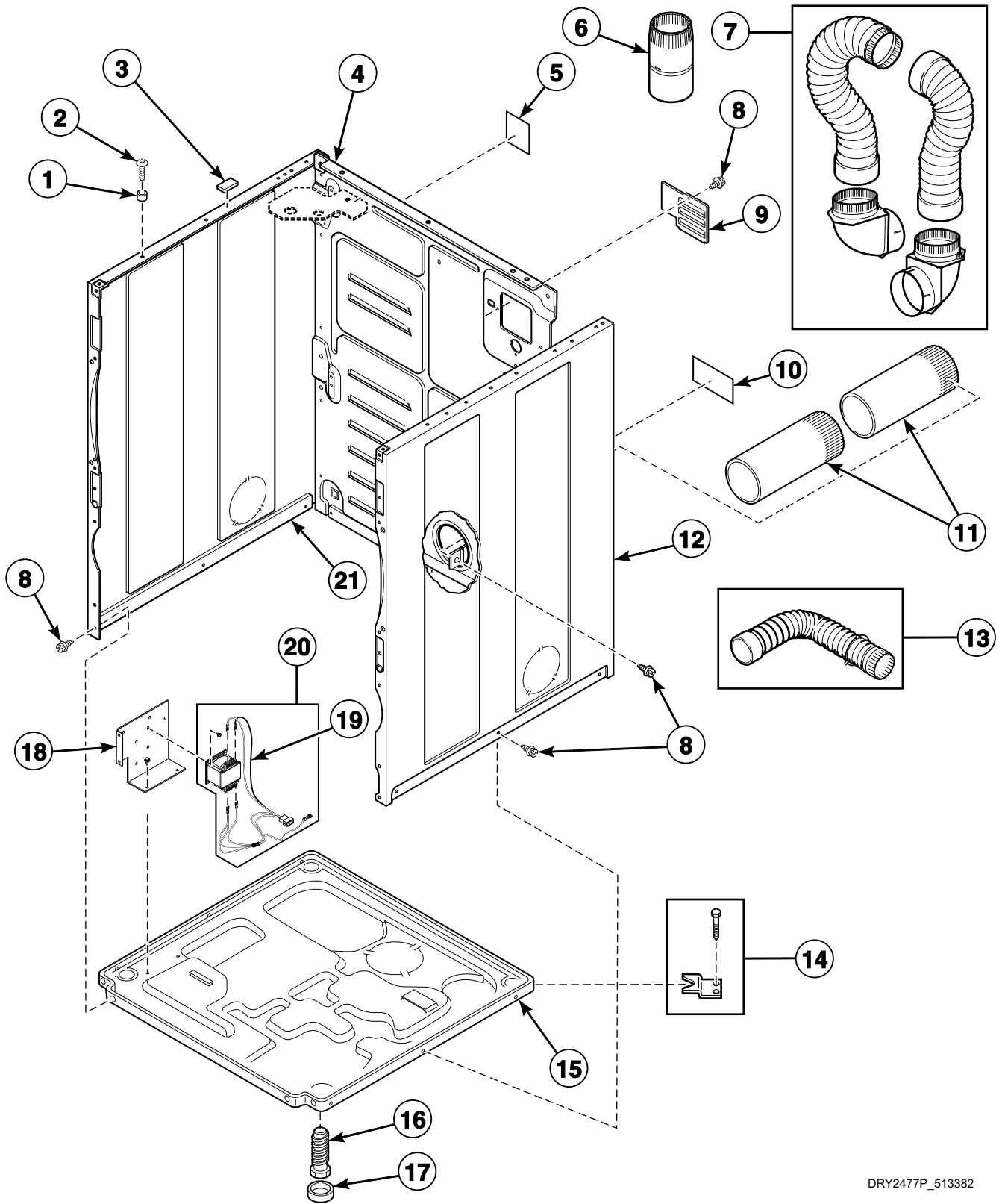


DRY2266P_513382

Burner Orifice Spuds - For Higher Elevations

REF	PART NO.	DESCRIPTION	COMMENTS
1	58755	L.P. Orifice	Liquid Petroleum Gas (L.P.); Model SSSLXFGW541NW23 3000-7999 feet (915-2439 m); 22,500 Btu; Models HSGLXFGW091CW01, HSGLYFGW091CW01 and SSGLXFGW301AW01 7500-10999 feet (2290-3354 m); 25,000 Btu
	503786	L.P. Orifice	L.P.; Model SSSLXFGW541NW23 8000 feet (2440 m) and higher; 22,500 Btu; Models HSGLXFGW091CW01, HSGLYFGW091CW01 and SSGLXFGW301AW01 11000 feet (3355 m) and higher; 25,000 Btu
	503776	N.G. Orifice	Natural Gas (N.G.); 2000-2999 feet (610-914 m); All models except SSSLXFGW541NW23
	510517	N.G. Orifice	N.G.; 3000-5499 feet (915-1679 m); All models except SSSLXFGW541NW23
	503778	N.G. Orifice	N.G.; Model SSSLXFGW541NW23 3000-5999 feet (915-1829 m); 22,500 Btu; Models HSGLXFGW091CW01, HSGLYFGW091CW01 and SSGLXFGW301AW01 5500-6999 feet (1680-2134 m); 25,000 Btu
	58719	Screw Orifice	N.G.; Model SSSLXFGW541NW23 6000-7999 feet (1830-2439 m); 22,500 Btu; Models HSGLXFGW091CW01, HSGLYFGW091CW01 and SSGLXFGW301AW01 7000-8999 feet (2135-2744 m); 25,000 Btu
	503779	N.G. Orifice	N.G.; Model SSSLXFGW541NW23 8000-8999 feet (2440-2739 m); 22,500 Btu; Models HSGLXFGW091CW01, HSGLYFGW091CW01 and SSGLXFGW301AW01 9000-10499 feet (2745-3199 m); 25,000 Btu
	503780	N.G. Orifice	N.G.; Model SSSLXFGW541NW23 9000-9999 feet (2740-3049 m); 22,500 Btu; Models HSGLXFGW091CW01, HSGLYFGW091CW01 and SSGLXFGW301AW01 10500 feet (3200 m) and higher; 25,000 Btu
	503781	N.G. Orifice	N.G.; Model SSSLXFGW541NW23 10,000 feet (3050 m) and higher; 22,500 Btu

Cabinet, Exhaust Duct and Base

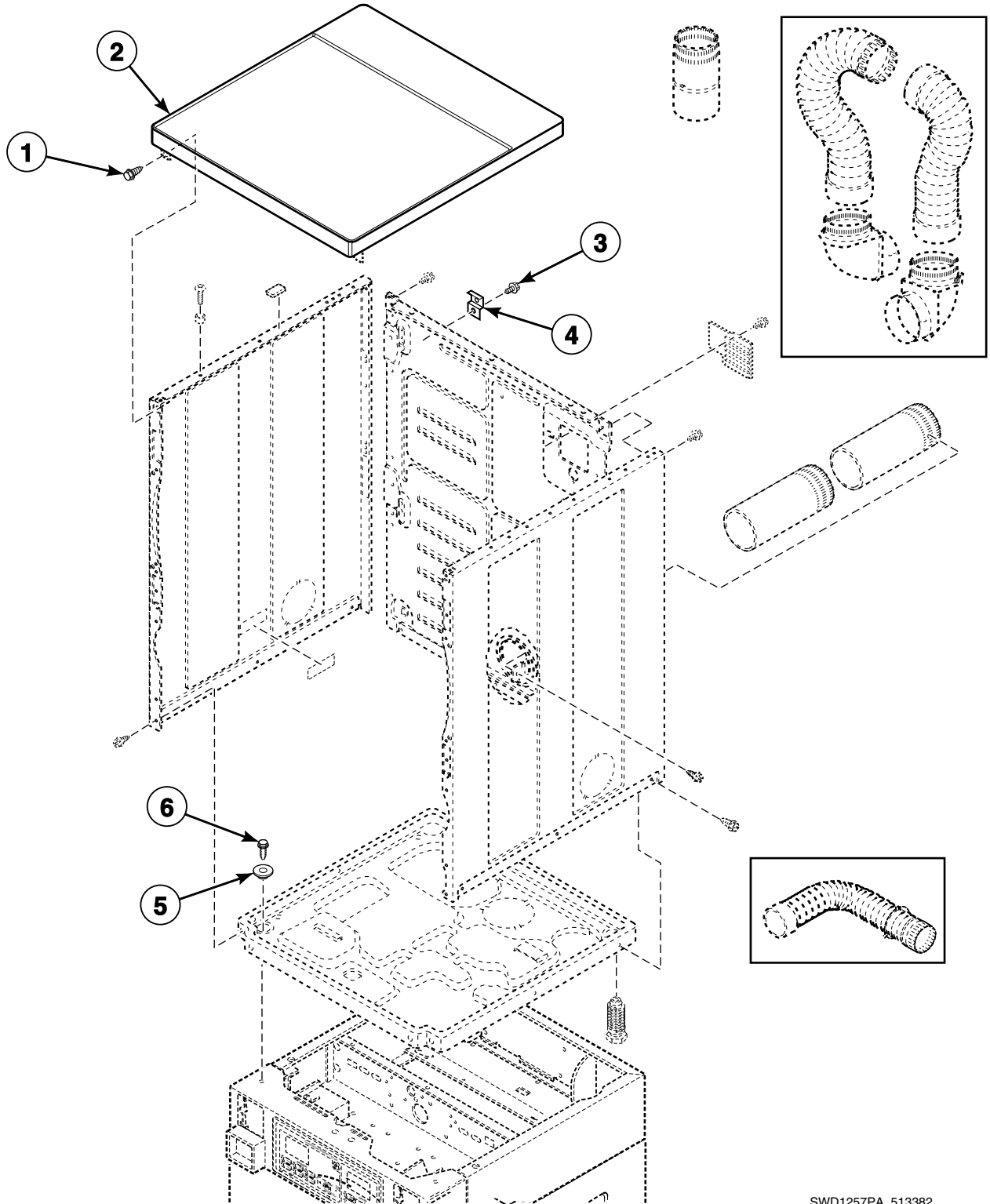


DRY2477P_513382

Cabinet, Exhaust Duct and Base

REF	PART NO.	DESCRIPTION	COMMENTS
	122P4P	Porcelain Touch-Up Paint	
1	56079	Panel Locator	
2	39733	Screw	
3	56128	Bumper Pad	
4	510005P	Cabinet Rear Panel	
5	511004	Gas Clearance Label	Models HSGLXFGW091CW01, HSGLYFGW091CW01 and SSGLXFGW301AW01
6	58786	Damper	Use when connecting to a manifold vent system
7	521P3	Flexible Venting Kit	
8	503688	Screw	
9	510903	Access Panel Plate	
10	500497	Exhaust Warning Label	
11	510137	Exhaust Duct	Each dryer requires 2 pieces
12	510002WP	Cabinet Side Panel	Right
13	528P3	Directional Exhaust Kit	Used to vent dryer out the sides or bottom
14	526P3	Hold Down Kit	For mobile home installations
15	513901	Dryer Base	
16	510135	Leveling Leg	
17	501855	Rubber Foot	
18	511859	Contact Bracket	Models SSGLXFGW301AW01 and SLLXFGW541NW23
19	511303	Wire Harness Assembly	Models SSGLXFGW301AW01 and SLLXFGW541NW23
20	511658P	Transformer Kit	Models SSGLXFGW301AW01 and SLLXFGW541NW23; Includes item 19
21	510001WP	Cabinet Side Panel	Left

Cabinet Top

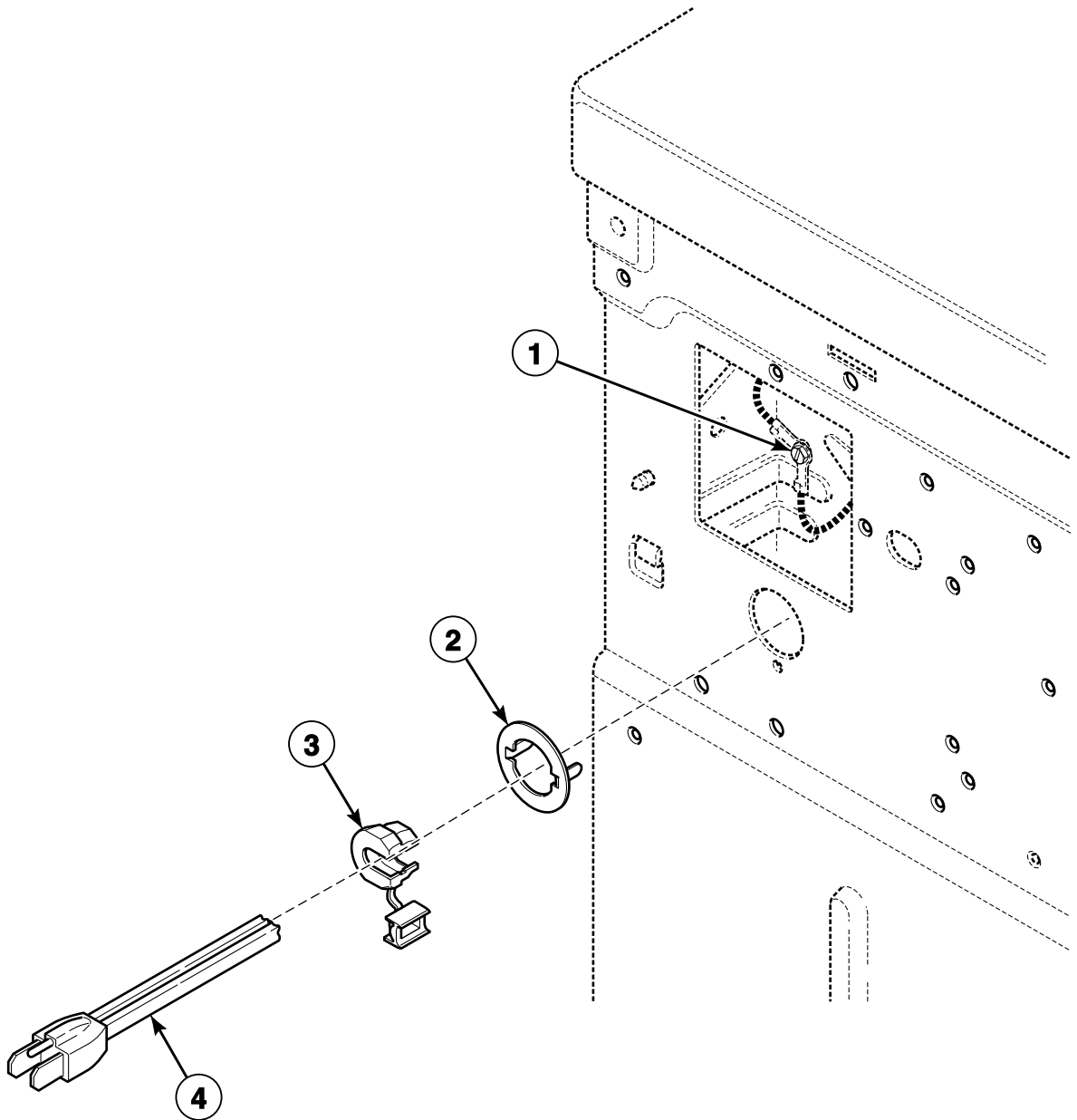


SWD1257PA_513382

Cabinet Top

REF	PART NO.	DESCRIPTION	COMMENTS
1	503661	Screw	
2	510032WP	Top Kit	
3	503688	Screw	
4	510136	Top Hinge	
5	501307	Washer	
6	36048	Screw	

Power Cord

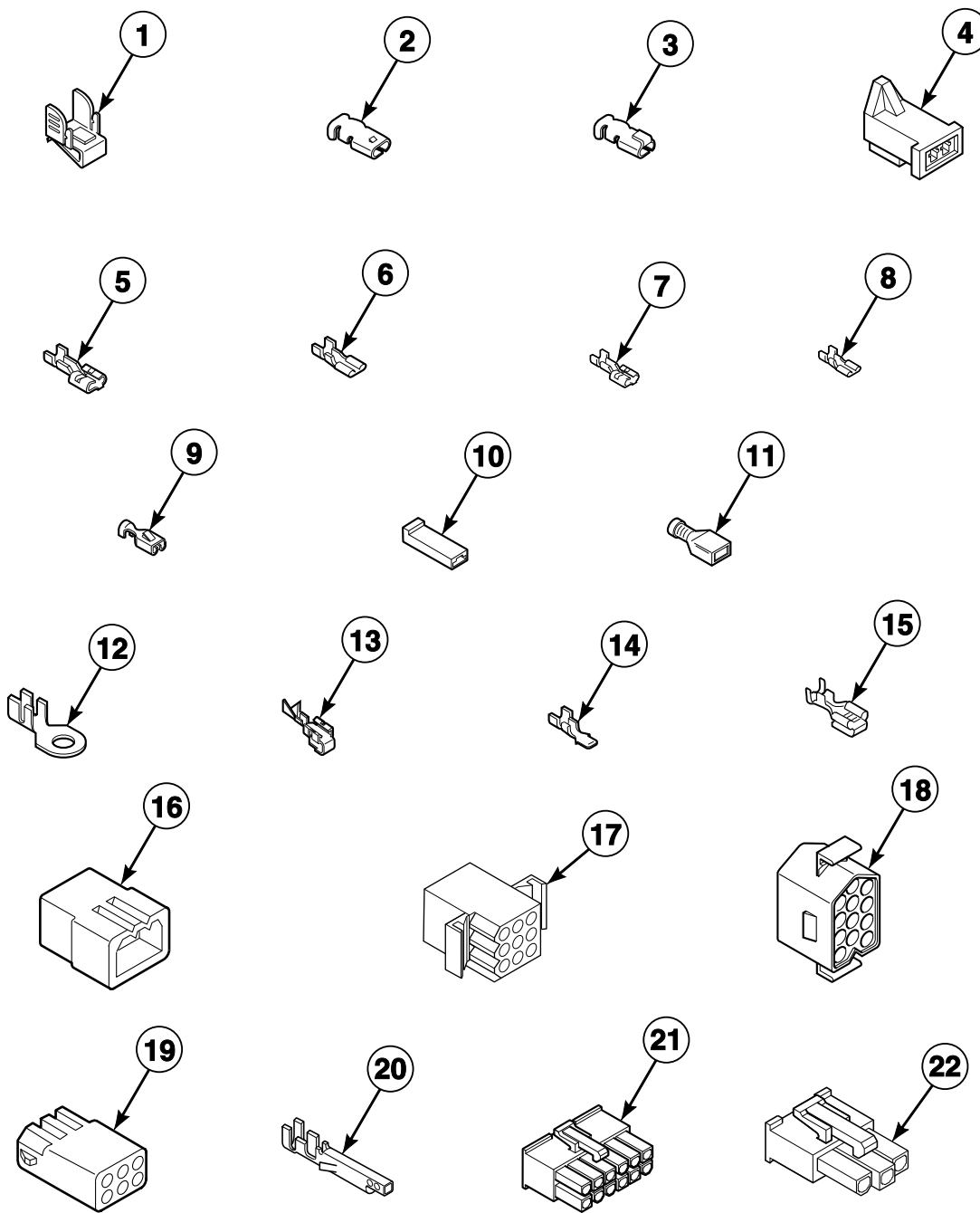


DRY2263P_513382

Power Cord

REF	PART NO.	DESCRIPTION	COMMENTS
1	20530	Screw	
2	502496	Strain Relief Adapter	Models HSGLXFGW091CW01, HSGLYFGW091CW01, SSELXFGW431AW01 and SSSLXFGW301AW01
3	52151	Strain Relief	Models HSGLXFGW091CW01 and HSGLYFGW091CW01
	52113	Strain Relief	Models SSELXFGW431AW01 and SSSLXFGW541NW23
	60298	Strain Relief	Model SSSLXFGW301AW01
4	58992	Power Cord Assembly	Models HSGLXFGW091CW01 and HSGLYFGW091CW01
	57397	Power Cord Assembly	Models HSELXFGW281CW01, HSELXFGW291CW01, HSELYFGW281CW01 and HSELYFGW291CW01
	61605P	Lead-In Cord Kit	Model SSELXFGW431AW01
	512019	Lead-In Cord	Model SSSLXFGW301AW01
	59373	Lead-In Cord	Model SSSLXFGW541NW23

Terminal Block and Terminals

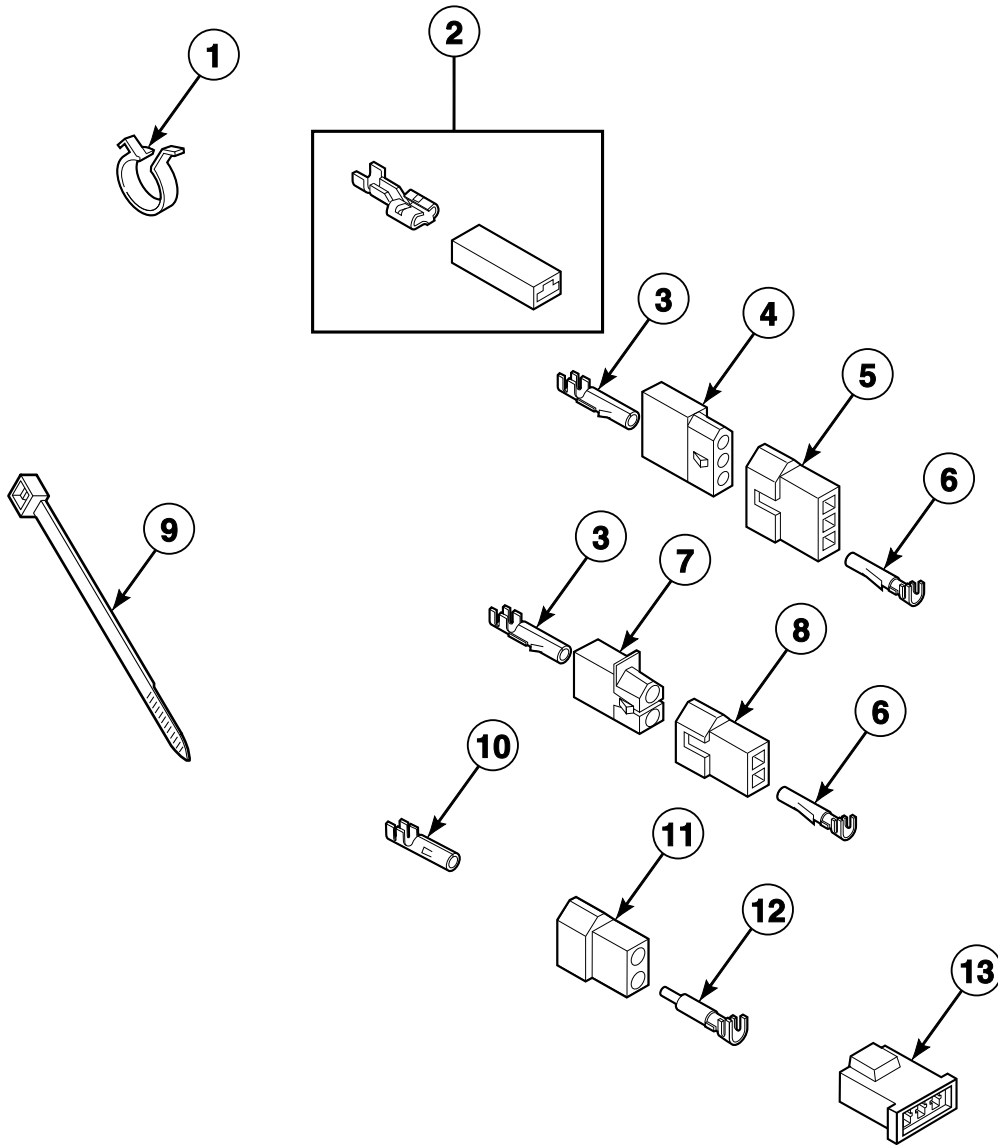


DRY2209P_513382

Terminal Block and Terminals

REF	PART NO.	DESCRIPTION	COMMENTS
1	00161	Grounding Clip	
2	00189	Female Spade Terminal	1/8 inch
3	00361	Female Piggyback Terminal	
4	58799	2 Circuit Connector	
5	00223	Female Spade Terminal	1/4 inch; (1) 18 gauge wire
	00121	Female Spade Terminal	1/4 inch; (2) 18 gauge wires or (1) 12 gauge wire
	00245	Spade Terminal	1/4 inch; (1) 22 gauge wire
6	00124	Female Spade Terminal	3/16 inch; (1) 18 gauge wire; .020 tab
	00156	Female Spade Terminal	3/16 inch; Thermostat wire; .032 tab
	00112	Female Spade Terminal	3/16 inch; .020 tab
7	00222	Female Spade Terminal	1/4 inch
8	00347	Terminal	
9	00115	Female Spade Terminal	1/4 inch; (1) 18 gauge wire
10	90789	Receptacle Housing	
11	00359	Insulated Female Spade Terminal	1/4 inch
	00165	Insulated Female Terminal	3/16 inch
12	00110	Ring Terminal	No. 10; (1) 18 gauge wire
	00111	Ring Terminal	No. 10; (2) 18 gauge wires or (1) 12 gauge wire
13	00114	Female Spade Terminal	1/4 inch; Double connector
14	00139	Male Tab Terminal	1/4 inch; (2) 18 gauge wires or (1) 12 gauge wire
15	00344	Female Tab Terminal	1/4 inch
16	26302	1 Circuit Plug	
	23033	9 Circuit Plug	
	23041	6 Circuit Plug	
17	26163	9 Circuit Receptacle	
	56855	12 Circuit Receptacle	
18	54522	Plug	
19	26301	1 Circuit Receptacle	
	26708	6 Circuit Receptacle	
20	00252	Terminal	
21	34596	10 Circuit Receptacle	
	501333	12 Circuit Receptacle	
22	36170	3 Circuit Receptacle	

Terminals

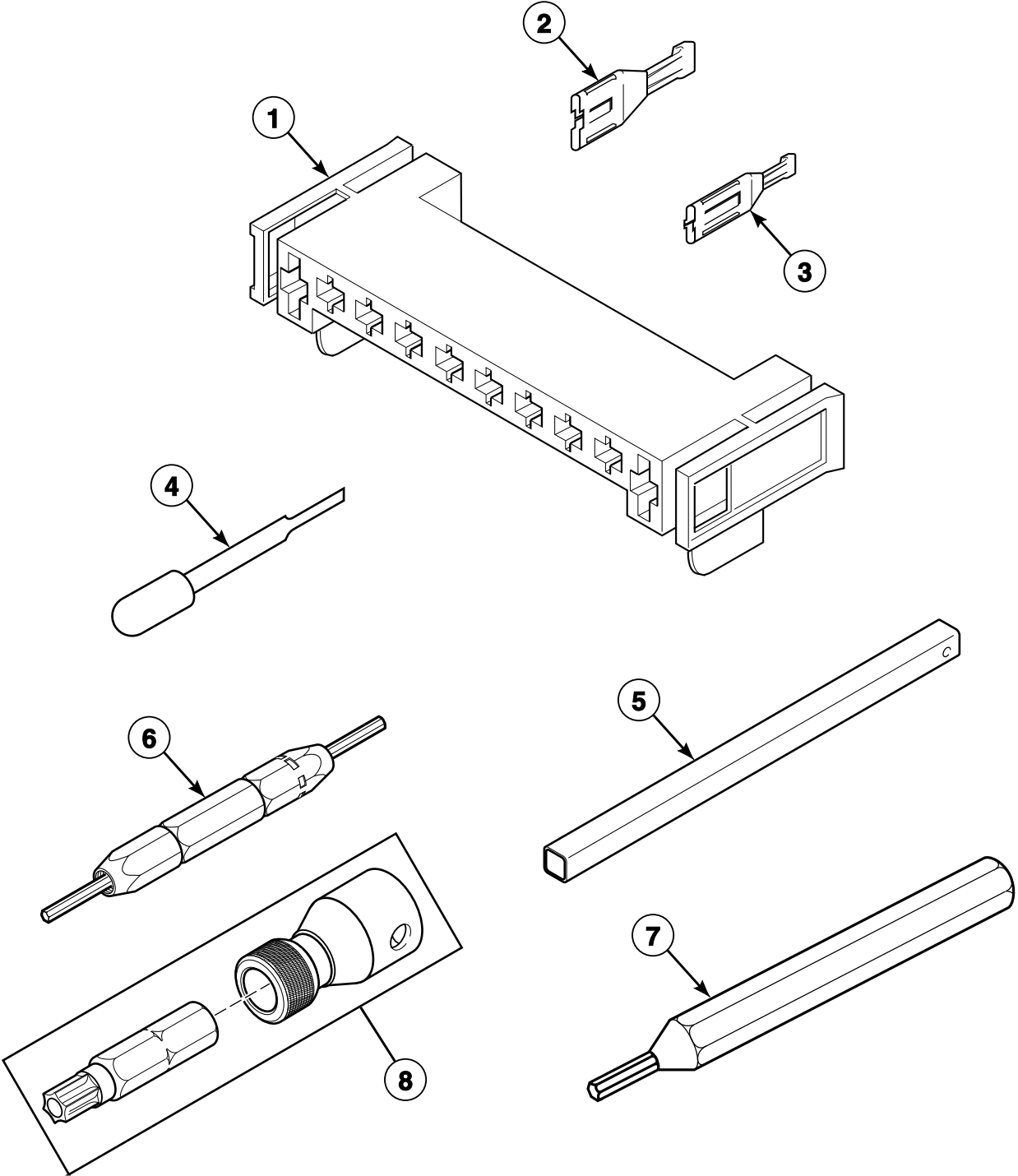


DRY1769P_513382

Terminals

REF	PART NO.	DESCRIPTION	COMMENTS
1	504034	Wire Clip	11/16 inch
	687500	Wire Clip	1 inch
2	00360	Insulated Female Spade Terminal	(1) 12 gauge wire or (2) 18 gauge wires
3	00117	Female Pin Terminal	
4	56265	2 Circuit Receptacle	
	23039	3 Circuit Receptacle	
5	23040	Plug	
6	00116	Male Pin Terminal	
7	56451	2 Circuit Receptacle	
8	56448	2 Circuit Plug	
9	55881	Harness Strap	
10	00128	Female Pin Terminal	1/8 inch; 10-14 gauge wire
	00130	Female Pin Terminal	1/8 inch; 16-18 gauge wire
11	56266	2 Circuit Plug	
12	00129	Male Pin Terminal	.12 insulation diameter
	00127	Male Pin Terminal	.18 insulation diameter
13	58800	3 Circuit Connector	

Terminals and Terminal Extractor Tools



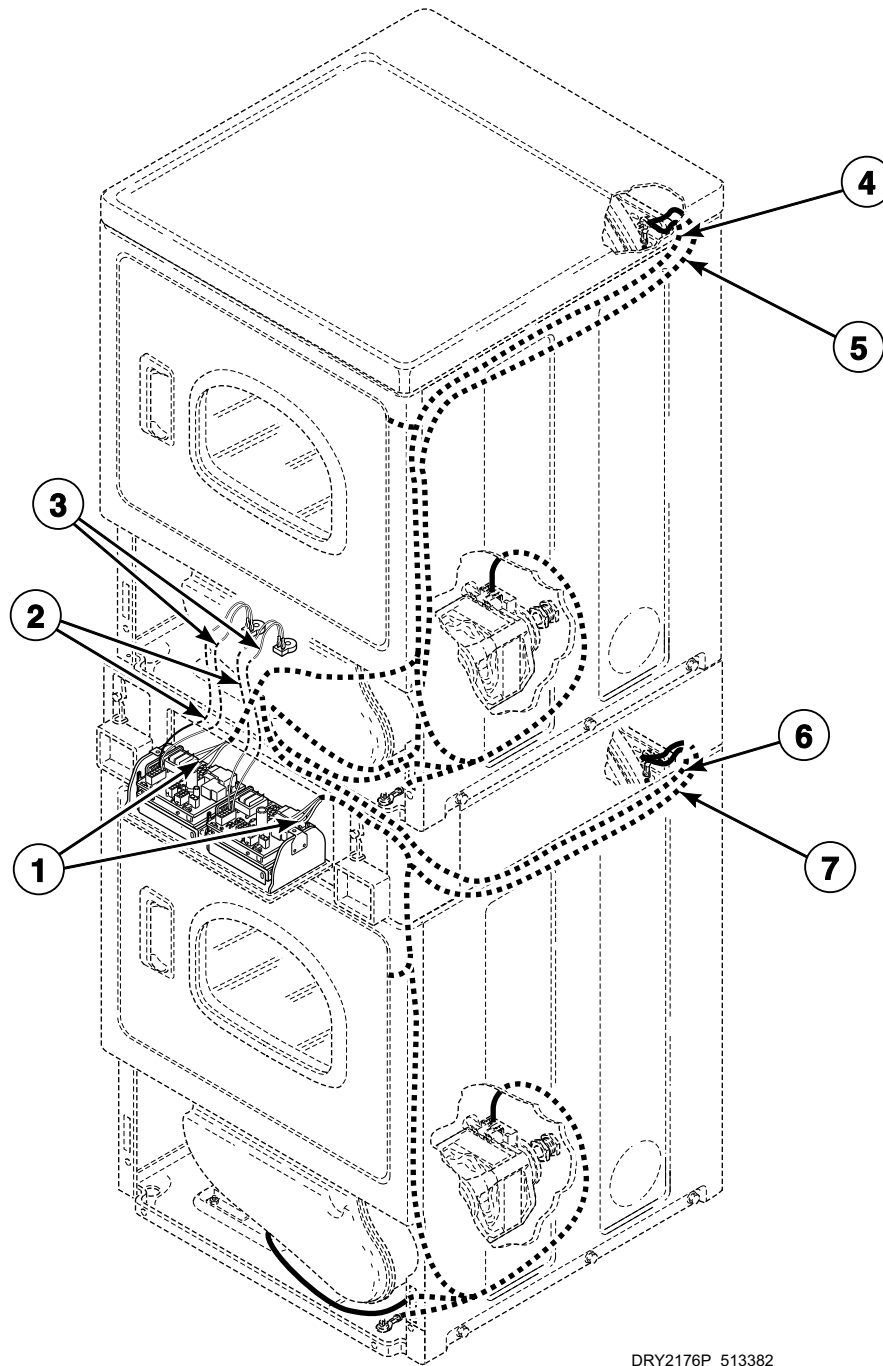
DRY2081P_513382

Terminals and Terminal Extractor Tools

REF	PART NO.	DESCRIPTION	COMMENTS
1	500338	10 Position Housing	
2	00255	Female Terminal	1/4 inch; (1) 12 gauge wire
	00256	Female Terminal	1/4 inch; (1) or (2) 18 gauge wires
3	00188	Female Terminal	For 1 or 2 wire application
4	283P4	Terminal Extractor Tool	For use on Molex connectors
5	310P4	Ratchet Extension Tool	1/4 inch; For coin drop installation
6	190P4	Extractor Tool	For use on electric dryer terminals
7	128P4	Extractor Tool	For use on gas dryer terminals
8	281P4	Torx Bit	T15 Tamper Resistant Bit
	282P4	Torx Bit	Use with 62853 Screw on access panel; T25 Tamper Resistant Bit
	292P4	Torx Bit	T20 Standard Bit
	24161	Bit Holder	Use with 62853 Screw on access panel; 3/8 inch
	93501	Torx Drive Tool	T10 Standard Bit

Wire Harnesses and Wires (Drawing 1 of 3)

Models HSGLXFGW091CW01, HSGLYFGW091CW01, SSELXFGW431AW01,
SSGLXFGW301AW01 and SSSLXFGW541NW23



DRY2176P_513382

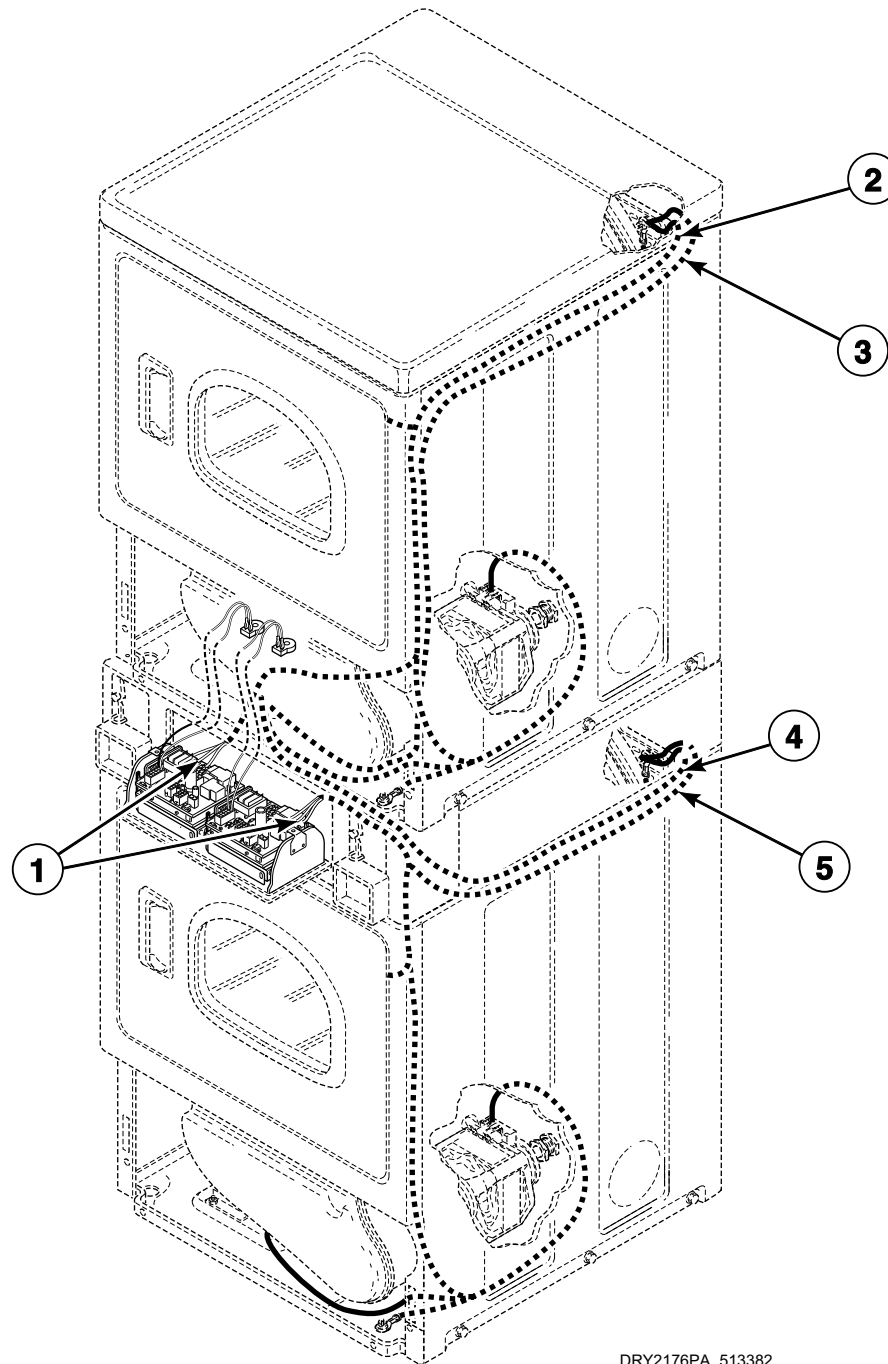
Wire Harnesses and Wires (Drawing 1 of 3)

REF	PART NO.	DESCRIPTION	COMMENTS
	45001	18 Gauge Wire	Black; Order wire by the foot; Order terminals and connectors as required
	45380	12 Gauge Wire	Orange; Order wire by the foot; Order terminals and connectors as required
1	512422P	Wire Harness Assembly	
2	512273P	Wire Configuration Assembly	Models SSGLXFGW301AW01 and SLLXFGW541NW23
3	512275P	Wire Configuration Assembly	Models SSGLXFGW301AW01 and SLLXFGW541NW23
4	512285	Wire Harness Assembly	Model SSGLXFGW301AW01
	511793P	Electronic Harness	Models HSGLXFGW091CW01 and HSGLYFGW091CW01
	512289	Wire Harness Assembly	Model SLLXFGW541NW23
5	512643P	Wire Harness Assembly	Models HSGLXFGW091CW01 and HSGLYFGW091CW01
6	512645	Wire Harness Assembly	Models HSGLXFGW091CW01 and HSGLYFGW091CW01
7	511795P	Electronic Harness	Models HSGLXFGW091CW01 and HSGLYFGW091CW01
	512287	Wire Harness Assembly	Model SSGLXFGW301AW01
	512291	Wire Harness Assembly	Model SLLXFGW541NW23

NOTE: Individual wires are not available separately. Order complete harness, or order wire by the foot. When applying terminals to wires, it is recommended that the terminals be soldered to the wires.

Wire Harnesses and Wires (Drawing 2 of 3)

Models HSELXFGW281CW01, HSELXFGW291CW01, HSELYFGW281CW01 and HSELYFGW291CW01
Models Through Serial No. 1303025314



DRY2176PA_513382

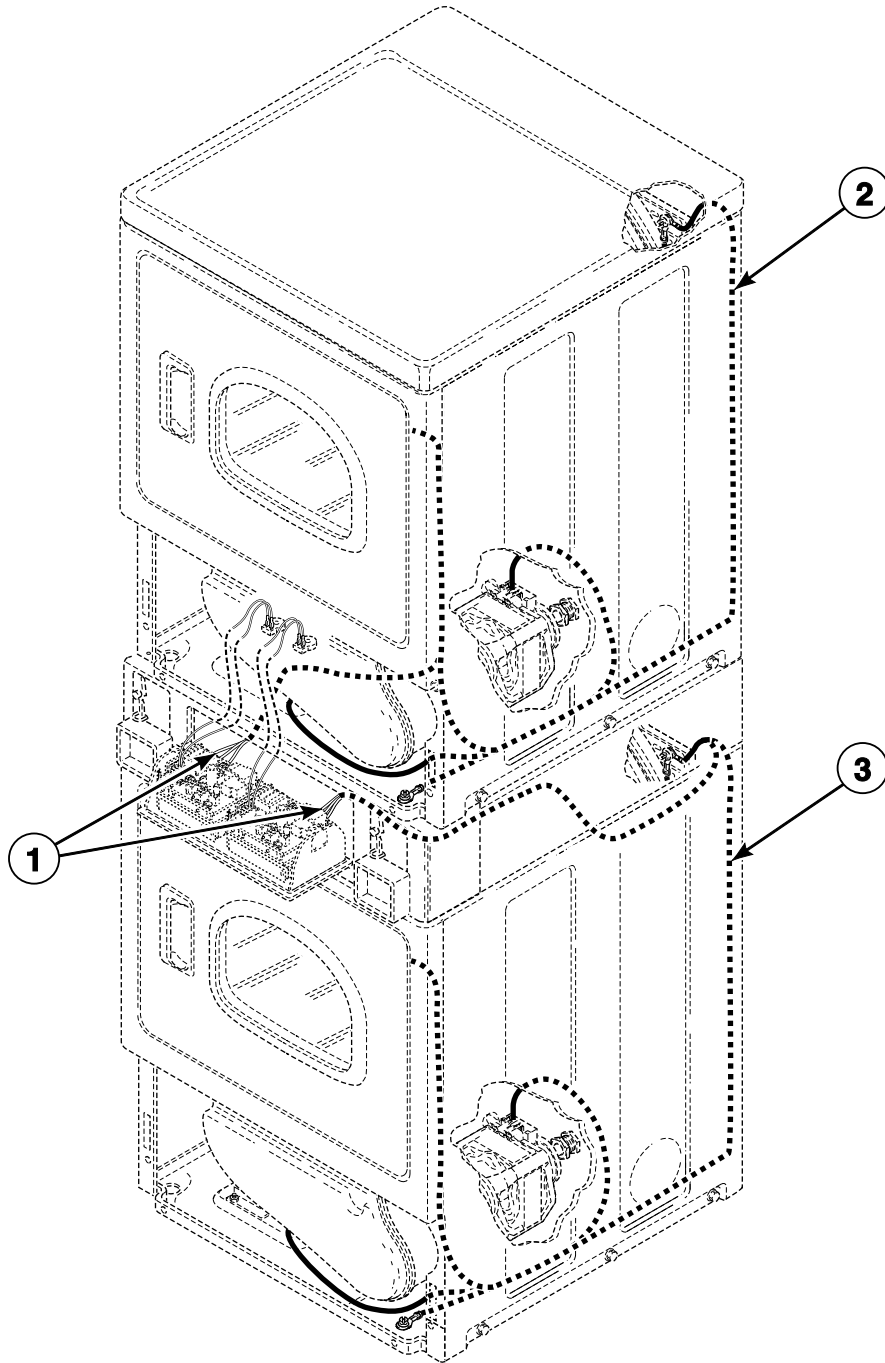
Wire Harnesses and Wires (Drawing 2 of 3)

REF	PART NO.	DESCRIPTION	COMMENTS
	45001	18 Gauge Wire	Black; Order wire by the foot; Order terminals and connectors as required
	45380	12 Gauge Wire	Orange; Order wire by the foot; Order terminals and connectors as required
1	512422P	Wire Harness Assembly	
2	512644	Wire Harness Assembly	
3	512890P	Power Wire Harness Assembly	
4	512892	Wire Harness Assembly	
5	512642	Wire Harness Assembly	

NOTE: Individual wires are not available separately. Order complete harness, or order wire by the foot. When applying terminals to wires, it is recommended that the terminals be soldered to the wires.

Wire Harnesses and Wires (Drawing 3 of 3)

Models HSELXFGW281CW01, HSELXFGW291CW01, HSELYFGW281CW01 and HSELYFGW291CW01



DRY2288P_513382

Wire Harnesses and Wires (Drawing 3 of 3)

REF	PART NO.	DESCRIPTION	COMMENTS
	45001	18 Gauge Wire	Black; Order wire by the foot; Order terminals and connectors as required
	45380	12 Gauge Wire	Orange; Order wire by the foot; Order terminals and connectors as required
1	512422P	Wire Harness Assembly	
2	514094	Electronic Harness	
3	514096	Electronic Harness	

NOTE: Individual wires are not available separately. Order complete harness, or order wire by the foot. When applying terminals to wires, it is recommended that the terminals be soldered to the wires.

Parts Index

A

Access Panel and Guard Assembly 514252W.....	17
Access Panel Assembly 514250W.....	17
Access Panel Plate 510903.....	33
Adhesive 511637P.....	21, 23
Air Duct Assembly 510151LG.....	21
510151W.....	21
Anti-Seize Compound 27604P.....	19
Audit Switch Bracket 800379.....	5
800380.....	5

B

Bit Holder 24161.....	43
Blower and Fan Kit 510717P.....	19
Blower Fan Assembly 510139P.....	19
Blower Housing 511969WP.....	19
Blower Housing Seal 510238P.....	19
Booster and Holding Coil 58804A.....	29
59063A.....	29
Bumper Pad 56128.....	33
Burner Assembly 510149P.....	29

C

Cabinet Rear Panel 510005P.....	33
Cabinet Side Panel 510001WP.....	33
510002WP.....	33
Card Insert Overlay 511548.....	13
Caution Label 500253.....	17
Clean Lint Label 502804.....	17
Clip 201572.....	9
Coin Drop 38963P.....	7
70441601P.....	7

Coin Drop Assembly CK114.....	7
38462P.....	7
38463.....	7
38464P.....	7
38467.....	7
38472.....	7
38475.....	7
38519.....	7
38521.....	7
39157.....	7
70441602.....	7

Coin Drop Kit CK077.....	7
-----------------------------	---

Coin Drop Wire Harness 201104.....	9
---------------------------------------	---

Coin Identification Paper 38725.....	9
---	---

Combustion Duct 510131.....	27
510132.....	27

Connector, 2 Circuit 58799.....	39
------------------------------------	----

Connector, 3 Circuit 58800.....	41
------------------------------------	----

Contacto Bracket 511859.....	33
---------------------------------	----

Control Assembly 513534P.....	5
----------------------------------	---

Control Overlay 512938.....	5
513545.....	5

Control Panel and Bracket Assembly 510076W.....	5
--	---

Cylinder Assembly 510265LG.....	21
510265WP.....	21

Cylinder Baffle 510102LG.....	21
510102W.....	21

Cylinder Belt 511255P.....	19
-------------------------------	----

Cylinder Glide 510188.....	21
-------------------------------	----

Cylinder Glide Bracket 510145.....	21
---------------------------------------	----

Cylinder Roller 510708P.....	23
---------------------------------	----

Cylinder Roller Bracket 510100.....	23
--	----

Cylinder Seal Assembly 510207P.....	21, 23
--	--------

D

Damper 58786.....	33
----------------------	----

Directional Exhaust Kit 528P3.....	33
---------------------------------------	----

N/A items do not appear in index.

Door and Liner Assembly 511636WP	15
Door Catch Assembly 514113	17
Door Handle Wedge 510129	15
Door Liner Grill 503870LG	15
503870W	15
Door Pull and Wedge Kit 510103WP	15
Door Strike 510181	15
Door Strike Mount 510127	15
Dryer Base 513901	33
Dryer Door 510082WP	15
Dryer Door Assembly 514114W	15
Dryer Door Window 503982P	15
Dual Overlay 39073	11

E

Elbow 513072	29
Elbow Shut-Off Valve 510205	29
Electronic Coin Drop Assembly 70294103P	9
70294104	9
70294105P	9
70294106	9
70294107	9
70294110	9
70294111	9
70294112	9
70294116	9
70294117	9
Electronic Coin Drop Kit CK099	9
CK100	9
CK101	9
CK103	9
CK108	9
CK109	9
CK110	9
CK113	9
CK115	9
CK116	9
CK117	9
CK118	9
Electronic Harness 511793P	45
511795P	45
514094	49
514096	49
Ethernet Gateway Kit NK320	5

Exhaust Duct 510137	33
Exhaust Warning Label 500497	33
Extractor Tool 128P4	43
190P4	43

F

Felt Pad 510189	21
Female Piggyback Terminal 00361	39
Female Pin Terminal 00117	41
00128	41
00130	41
Female Spade Terminal 00112	39
00114	39
00115	39
00121	39
00124	39
00156	39
00189	39
00222	39
00223	39
Female Tab Terminal 00344	39
Female Terminal 00188	43
00255	43
00256	43
Flexible Venting Kit 521P3	33
Front Bulkhead Assembly 510266P	21
Front Panel 510066WP	17
Front Panel Assembly 513781W	17
Front Panel Seal 511056	17

G

Gas Clearance Label 511004	33
Gas Valve Assembly 513631	29
60353P	29
Gas Valve Mounting Bracket 510128	29
Glass Door Window 513910	15
Glide Kit RB170003	21
Graphic Overlay 513030	5
Grounding Clip 00161	39

N/A items do not appear in index.

H

Harness Assembly	
802905	7, 9
Harness Strap	
55881	41
Heat Duct Shroud	
510101	27
Heater Assembly	
510324P	25
510327P	25
510330P	25
Heater Duct and Screw Assembly	
510025P	25, 27
Heater Kit	
965P3	25
Heater Kit Assembly	
61927	25
61930	25
Hinge	
511036	15
Hinge Hole Plug	
510186	17
Hold Down Kit	
526P3	33
Housing, 10 Position	
500338	43

I

Idler Lever	
510133	19
Idler Lever and Wheel Assembly	
510158	19
Idler Spring	
510185	19
Idler Wheel and Bearing Assembly	
510142P	19
Igniter and Bracket Assembly	
510184P	29
Insulated Female Spade Terminal	
00359	39
00360	41
Insulated Female Terminal	
00165	39

J

Jumper Configuration Assembly	
413507	5

K

Key	
54612	5

L

Lead-In Cord	
512019	37
59373	37
Lead-In Cord Kit	
61605P	37
Lead-In Pipe Assembly	
510204	29
Leveling Leg	
510135	33
Limit Thermostat	
510701	25
510702	27
Liner and Seal Assembly	
510098LG	15
510098W	15
Liner Door Seal	
510147P	15
Lint Filter	
503980LG	21
503980W	21
Lock Cam	
27261	5
Lock Kit	
27260P	5
L.P. Conversion Kit	
458P3	29
649P3	29
L.P. Orifice	
503786	31
58755	31

M

Male Pin Terminal	
00116	41
00127	41
00129	41
Male Tab Terminal	
00139	39
Manual Reset Thermostat	
M411941	19
Motor and Pulley Assembly	
505843P	19
505869P	19
511629P	19
Motor Hub Ring Kit	
590P3	19
Motor Mount	
510060	19
Motor Mount Clamp	
510180	19
Motor Pulley	
500011	19
500222	19
Mounting Tool Kit	
CK096	9

N/A items do not appear in index.

N

Network Controller Kit NK220	5
Network Retrofit Kit NK203	5
Nut	
201216	9
28447	23
29786	7
44071201	15
52566	19
56156	19, 23
80077	11
N.G. Conversion Kit	
459P3	29
650P3	29
N.G. Orifice	
503776	31
503778	31
503779	31
503780	31
503781	31
510517	31

O

Outlet Cover 500820	25, 27
Overlay 201091	11

P

Panel Locator 56079	17, 33
Plug	
23040	41
54522	39
Plug, 1 Circuit 26302	39
Plug, 2 Circuit	
56266	41
56448	41
Plug, 6 Circuit 23041	39
Plug, 9 Circuit 23033	39
Porcelain Touch-Up Paint 122P4P	33
Power Cord Assembly	
57397	37
58992	37
Power Wire Harness Assembly 512890P	47

R

Ratchet Extension Tool 310P4	43
---------------------------------------	----

Rear Bulkhead Assembly 511082P	23
Receptacle Housing 90789	39
Receptacle, 1 Circuit 26301	39
Receptacle, 10 Circuit 34596	39
Receptacle, 12 Circuit	
501333	39
56855	39
Receptacle, 2 Circuit	
56265	41
56451	41
Receptacle, 3 Circuit	
23039	41
36170	39
Receptacle, 6 Circuit 26708	39
Receptacle, 9 Circuit 26163	39
Resistor 210100	5
Retaining Ring 23748	19, 23
Ring Terminal	
00110	39
00111	39
Roller Kit RB170002	23
Rubber Foot 501855	33

S

Screw	
20530	37
23222	25, 29
28448	23
31260	19
33562	17
36048	35
39733	17, 33
500226	15
500824	19
501285	21, 23
501524	5
502431	11, 13
502535	19
503661	35
503688	5, 11, 13, 17, 19, 21, 23, 25, 27, 29, 33, 35
505295	15, 21
505870	15
51782	27, 29
52864	21
56124	29
61199	23
62588	21
62853	17
Screw Orifice 58719	31
Seal Kit RB170001	21, 23

N/A items do not appear in index.

Secondary Coil	
58804B.....	29
59063B.....	29
Security Cabinet Front Assembly	
511208W.....	13
511632WP	11
Sensor	
510213	29
Shaft	
56461P.....	19, 23
Single Overlay	
38717	11
Spade Terminal	
00245	39
Speed Clip	
28835	17
Strain Relief	
52113	37
52151	37
60298	37
Strain Relief Adapter	
502496.....	37
Switch	
512973	5, 17

T

Terminal	
00252	39
00347	39
Terminal Block Assembly	
510190P.....	23
Terminal Block Shield	
510237	23
Terminal Extractor Tool	
283P4.....	43
Thermal Fuse Assembly	
511412	25
Thermistor Assembly	
502366	19
510523	19
Thermostat	
510703	27
Top Hinge	
510136	35
Top Kit	
510032WP	35
Torx Bit	
281P4.....	43
282P4.....	43
292P4.....	43
Torx Drive Tool	
93501	43
Transformer	
201375P.....	5
803527P.....	5
Transformer Kit	
511658P.....	33

U

USB Gateway Kit	
NK330	5

V

Valve Assembly	
60443P.....	29

W

Warning Label	
512263	17
Warning/Caution Label	
500281	17
Washer	
28449	23
501307	35
504082	23
52549	19, 23
Window Clip	
513958	15
Window Trim	
503981LG.....	15
503981W.....	15
Wire Assembly	
510527	25
510528	25
Wire Clip	
504034	41
687500	41
Wire Configuration Assembly	
512273P.....	45
512275P.....	45
Wire Guard	
201595P.....	7
Wire Harness Assembly	
511303	33
512285	45
512287	45
512289	45
512291	45
512422P.....	45, 47, 49
512642	47
512643P.....	45
512644	47
512645	45
512892	47
Wireless Network Kit	
NK301	5
Wire, 12 Gauge	
45380	45, 47, 49
Wire, 18 Gauge	
45001	45, 47, 49
Wrapper and Channel Assembly	
505753WP.....	11, 13

N/A items do not appear in index.

